



Technical data

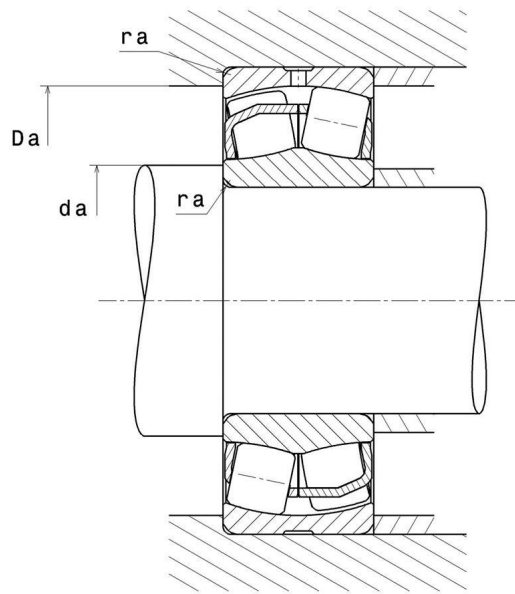
22214EAW33

Spherical roller bearings

Spherical roller bearing, pressed steel cage, groove and lubrication holes on outer ring

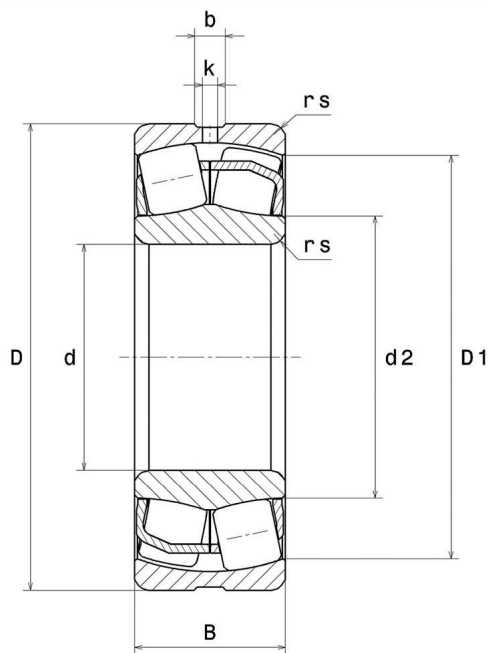
ULTAGE

VISUAL (S)



22214EAW33

Spherical roller bearings



PRODUCT DIMENSIONS

Internal diameter (d)	70 mm
External diameter (D)	125 mm
Bearing/Inner ring width (B)	31 mm
External diameter inner ring (d2)	84,1 mm
Inner diameter outer ring (D1)	112,7 mm
Min fillet radius (rs)	1,5 mm
Number of lubrication holes	3 or 4
Groove width (b)	7,37 mm
Hole diameter (k)	3,5 mm
Coef (e)	0.22
Lower axial load coef (Y1)	3.01
Upper axial load coef (Y2)	4.48
Static axial load coef (Y0)	2.94

PRODUCT DIMENSIONS

Radial clearance class	CN
Mass	1,586 kg
Brand	SNR

PRODUCT PERFORMANCE

Dynamic load (C)	235 kN
Static load (C0)	240 kN
Fatigue limit load (Cu)	29,3 kN
Reference thermal speed (Nref)	4900 tr/min
Mechanical Limit Speed (Nlim)	6500 tr/min
Min operating temperature (Tmin)	-40 °C
Max operating temperature (Tmax)	200 °C

ABUTMENT

Max shoulder diameter IR (da max)	0 mm
Min shoulder diameter IR (da min)	79 mm
Max shoulder diameter OR (Da max)	116 mm
Max shaft & housing fillet radius (ra max)	1,5 mm

INDUSTRY CALCUL FACTORS

Equivalent dynamic radial load

$$P = X.F_r + Y.F_a$$

Fa / Fr ≤ e		Fa / Fr > e	
X	Y	X	Y
1	Y1	0.67	Y2

Equivalent static radial load

$$P_o = X_o.F_r + Y_o.F_a$$

X _o	Y _o
1	Y0

The values for e, Y1, Y2 and Y0 are shown in the above table .