



Technical data

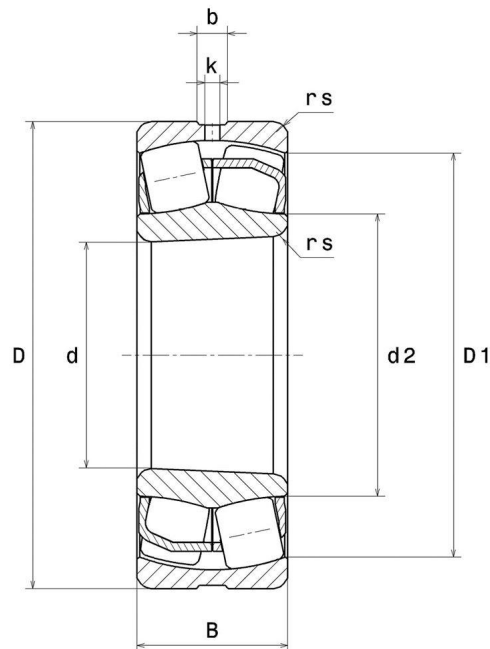
22213EAKW33

Spherical roller bearings

Spherical roller bearing, pressed steel cage, groove and lubrication holes on outer ring, tapered bore 1:12

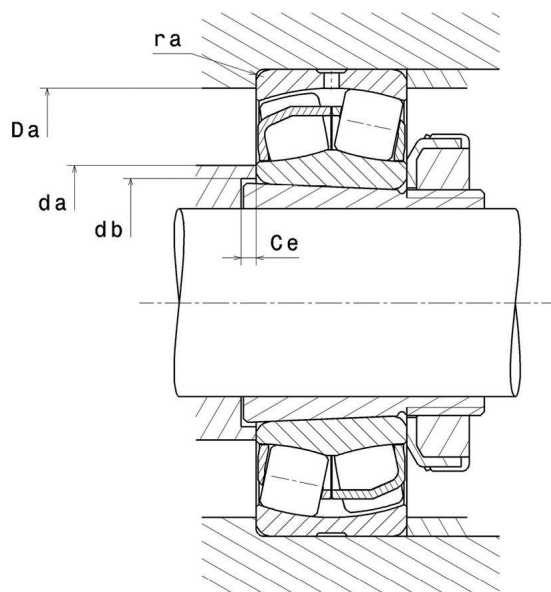
ULTAGE

VISUAL (S)



22213EAKW33

Spherical roller bearings



PRODUCT DIMENSIONS

Internal diameter d	65 mm
External diameter D	120 mm
Bearing/Inner ring width(B)	31 mm
External diameter inner ring d2	78,2 mm
Inner diameter outer ring D1	107 mm
Min fillet radius rs	1,5 mm
Number of lubrication holes	3 or 4
Groove width (b)	7,83 mm
Hole diameter (k)	3,5 mm
Associated sleeve reference	H313
Coef e	0.24
Lower axial load coef (Y1)	2.79
Upper axial load coef (Y2)	4.15
Static axial load coef (Y0)	2.73
Radial clearance class	CN
Mass	1,45 kg
Brand	SNR

PRODUCT PERFORMANCE

NTN-SNR ROULEMENTS

www.ntn-snr.com

1 rue des Usines - 74010 Annecy Cedex - France - Tel. +33 (0)4 50 65 30 00

S.A. au capital de 123 599 542 € - RCS ANNECY B 325 821 072 - Id. Fiscale : FR 48 325 821 072

SIRET 325 821 072 00015 - Code APE 2815 Z - Code NACE 28.15

PRODUCT PERFORMANCE

Dynamic load, C	226 kN
Static load, C0	224 kN
Fatigue limit load, Cu	27,3 kN
Reference thermal speed (Nref)	5300 tr/min
Mechanical Limit Speed Nlim	6900 tr/min
Min operating temperature, Tmin	-40 °C
Max operating temperature, Tmax	200 °C
Characteristic cage frequency, FTF	0.422 Hz
Characteristic rolling element frequency, BSF	6.175 Hz
Characteristic outer ring frequency, BPF0	7.596 Hz
Characteristic inner ring frequency, BPGI	10.404 Hz

ABUTMENT

Max shoulder diameter IR da max	0 mm
Min shoulder diameter IR da min	74 mm
Min diameter for Sleeve db	70 mm
Min length fro Sleeve Ce	8 mm
Max shoulder diameter OR Da max	111 mm
Max shaft & housing fillet radius ra max	1,5 mm

INDUSTRY CALCUL FACTORS

Equivalent dynamic radial load

$P = X.F_r + Y.F_a$

Fa / Fr ≤ e		Fa / Fr > e	
X	Y	X	Y
1	Y1	0.67	Y2

Equivalent static radial load

$P_o = X_o.F_r + Y_o.F_a$

X _o	Y _o
1	Y0

The values for e, Y1, Y2 and Y0 are shown in the above table .