



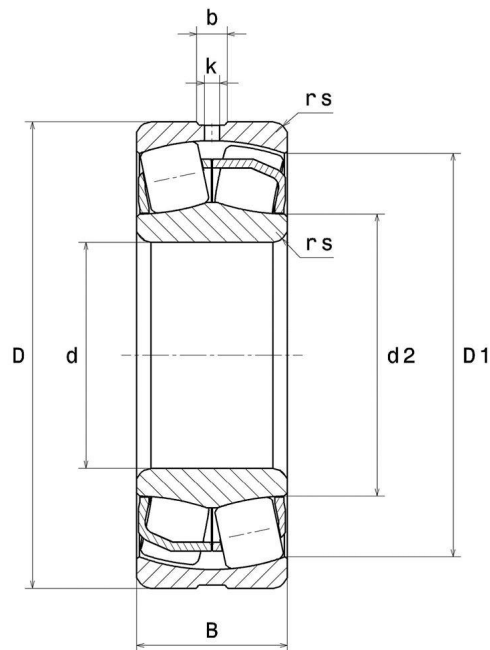
Technical data

22212EAW33C3
Spherical roller bearings

Spherical roller bearing, pressed steel cage, groove and lubrication holes on outer ring

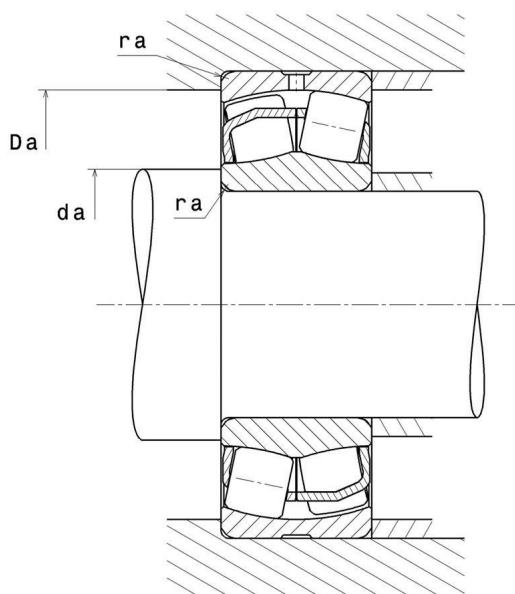
ULTAGE

VISUAL (S)



22212EAW33C3

Spherical roller bearings



PRODUCT DIMENSIONS

Internal diameter d	60 mm
External diameter D	110 mm
Bearing/Inner ring width(B)	28 mm
External diameter inner ring d2	71,9 mm
Inner diameter outer ring D1	98,5 mm
Min fillet radius rs	1,5 mm
Number of lubrication holes	3 or 4
Groove width (b)	6,9 mm
Hole diameter (k)	3 mm
Coef e	0.24
Lower axial load coef (Y1)	2.84
Upper axial load coef (Y2)	4.23
Static axial load coef (Y0)	2.78
Radial clearance class	C3
Mass	1,134 kg
Brand	SNR

PRODUCT PERFORMANCE

Dynamic load, C	187 kN
------------------------	--------

PRODUCT PERFORMANCE

Static load, C₀	181 kN
Fatigue limit load, C_u	22,1 kN
Reference thermal speed (N_{ref})	5600 tr/min
Mechanical Limit Speed N_{lim}	7500 tr/min
Min operating temperature, T_{min}	-40 °C
Max operating temperature, T_{max}	200 °C
Characteristic cage frequency, FTF	0.422 Hz
Characteristic rolling element frequency, BSF	6.174 Hz
Characteristic outer ring frequency, BPF₀	7.595 Hz
Characteristic inner ring frequency, BPF_I	10.405 Hz

ABUTMENT

Max shoulder diameter IR da max	0 mm
Min shoulder diameter IR da min	69 mm
Max shoulder diameter OR Da max	101 mm
Max shaft & housing fillet radius ra max	1,5 mm

INDUSTRY CALCUL FACTORS

Equivalent dynamic radial load

$$P = X.F_r + Y.F_a$$

Fa / Fr ≤ e		Fa / Fr > e	
X	Y	X	Y
1	Y1	0.67	Y2

Equivalent static radial load

$$P_0 = X_0.F_r + Y_0.F_a$$

X ₀	Y ₀
1	Y0

The values for e, Y1, Y2 and Y0 are shown in the above table .