



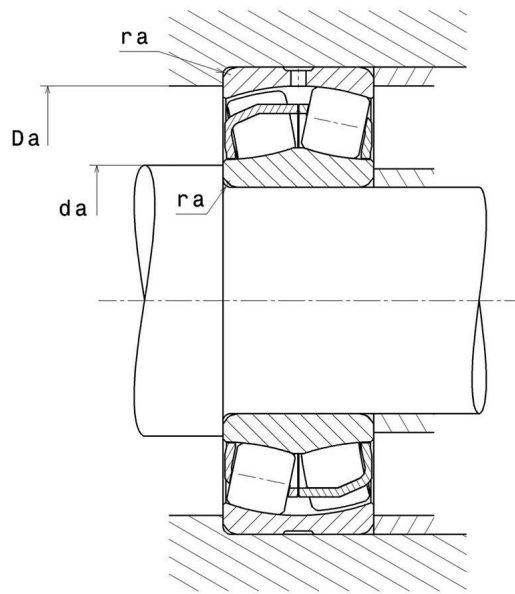
Technical data

22208EAW33C3
Spherical roller bearings

Spherical roller bearing, pressed steel cage, groove and lubrication holes on outer ring

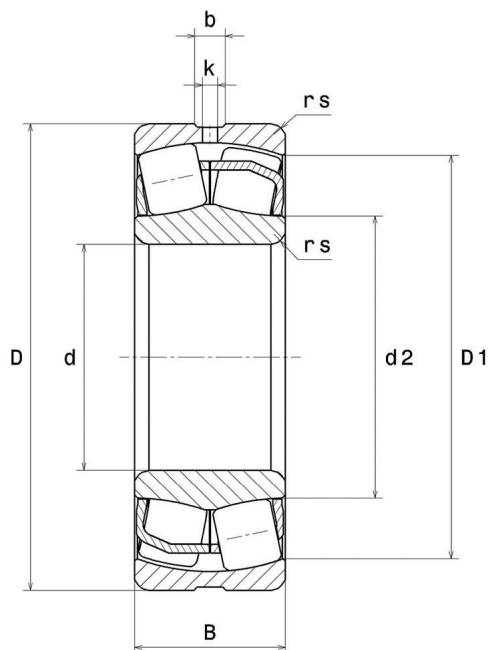
ULTAGE

VISUAL (S)



22208EAW33C3

Spherical roller bearings



PRODUCT DIMENSIONS

Internal diameter d	40 mm
External diameter D	80 mm
Bearing/Inner ring width(B)	23 mm
External diameter inner ring d2	50,2 mm
Inner diameter outer ring D1	70,8 mm
Min fillet radius rs	1,1 mm
Number of lubrication holes	3 or 4
Groove width (b)	5,38 mm
Hole diameter (k)	2,5 mm
Coef e	0.27
Lower axial load coef (Y1)	2.47
Upper axial load coef (Y2)	3.68
Static axial load coef (Y0)	2.41
Radial clearance class	C3
Mass	0,515 kg
Brand	SNR

PRODUCT PERFORMANCE

Dynamic load, C	116 kN
------------------------	--------

PRODUCT PERFORMANCE

Static load, C0	105 kN
Fatigue limit load, Cu	12,8 kN
Reference thermal speed (Nref)	8200 tr/min
Mechanical Limit Speed Nlim	11000 tr/min
Min operating temperature, Tmin	-40 °C
Max operating temperature, Tmax	200 °C
Characteristic cage frequency, FTF	0.415 Hz
Characteristic rolling element frequency, BSF	5.618 Hz
Characteristic outer ring frequency, BPF0	6.64 Hz
Characteristic inner ring frequency, BPFI	9.36 Hz

ABUTMENT

Max shoulder diameter IR da max	0 mm
Min shoulder diameter IR da min	47 mm
Max shoulder diameter OR Da max	73 mm
Max shaft & housing fillet radius ra max	1 mm

INDUSTRY CALCUL FACTORS

Equivalent dynamic radial load

$$P = X.F_r + Y.F_a$$

Fa / Fr ≤ e		Fa / Fr > e	
X	Y	X	Y
1	Y1	0.67	Y2

Equivalent static radial load

$$P_0 = X_0.F_r + Y_0.F_a$$

X ₀	Y ₀
1	Y0

The values for e, Y1, Y2 and Y0 are shown in the above table .