



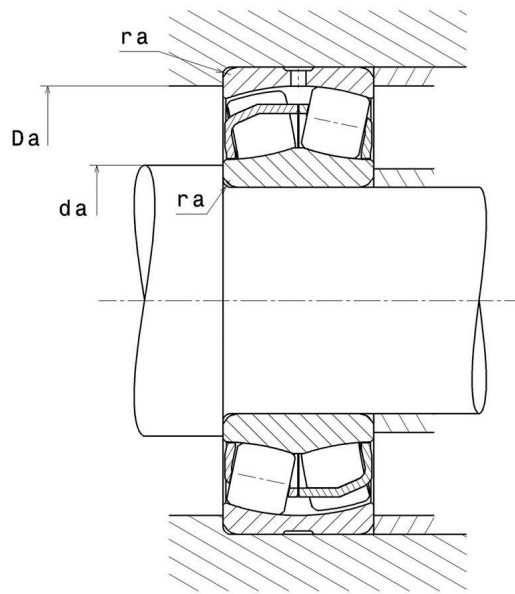
Technical data

22205EAW33C3
Spherical roller bearings

Spherical roller bearing, pressed steel cage, groove and lubrication holes on outer ring

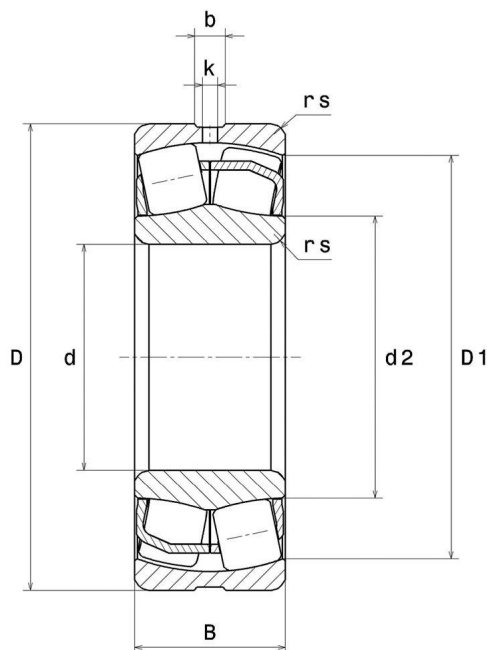
ULTAGE

VISUAL (S)



22205EAW33C3

Spherical roller bearings



PRODUCT PERFORMANCE

Dynamic load, C	57,3 kN
Static load, C0	46,1 kN
Fatigue limit load, Cu	5,6 kN
Reference thermal speed (Nref)	13000 tr/min
Mechanical Limit Speed Nlim	17000 tr/min
Min operating temperature, Tmin	-40 °C
Max operating temperature, Tmax	200 °C
Characteristic cage frequency, FTF	0.403 Hz
Characteristic rolling element frequency, BSF	4.85 Hz
Characteristic outer ring frequency, BPF0	5.645 Hz
Characteristic inner ring frequency, BRFI	8.355 Hz

PRODUCT DIMENSIONS

Internal diameter d	25 mm
External diameter D	52 mm
Bearing/Inner ring width(B)	18 mm
External diameter inner ring d2	30,5 mm
Inner diameter outer ring D1	45,5 mm
Min fillet radius rs	1 mm

PRODUCT DIMENSIONS

Number of lubrication holes	3 or 4
Groove width (b)	3 mm
Hole diameter (k)	1,5 mm
Coef e	0.34
Lower axial load coef (Y1)	2.0
Upper axial load coef (Y2)	2.98
Static axial load coef (Y0)	1.96
Radial clearance class	C3
Mass	0,155 kg
Brand	SNR

ABUTMENT

Max shoulder diameter IR da max	0 mm
Min shoulder diameter IR da min	30,6 mm
Max shoulder diameter OR Da max	46,4 mm
Max shaft & housing fillet radius ra max	1 mm

INDUSTRY CALCUL FACTORS

Equivalent dynamic radial load

$$P = X.F_r + Y.F_a$$

Fa / Fr ≤ e		Fa / Fr > e	
X	Y	X	Y
1	Y1	0.67	Y2

Equivalent static radial load

$$P_o = X_o.F_r + Y_o.F_a$$

X _o	Y _o
1	Y0

The values for e, Y1, Y2 and Y0 are shown in the above table .