



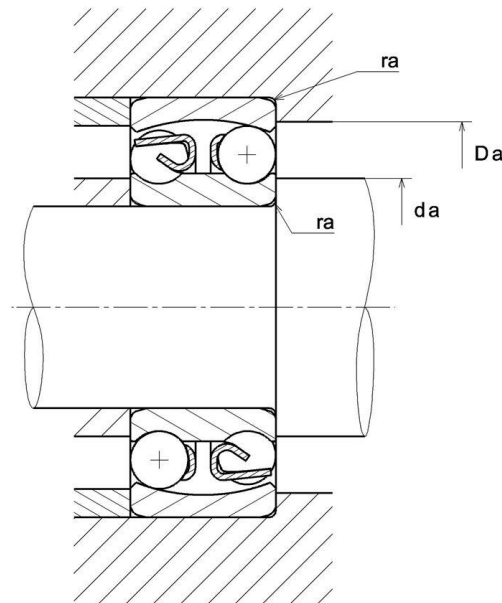
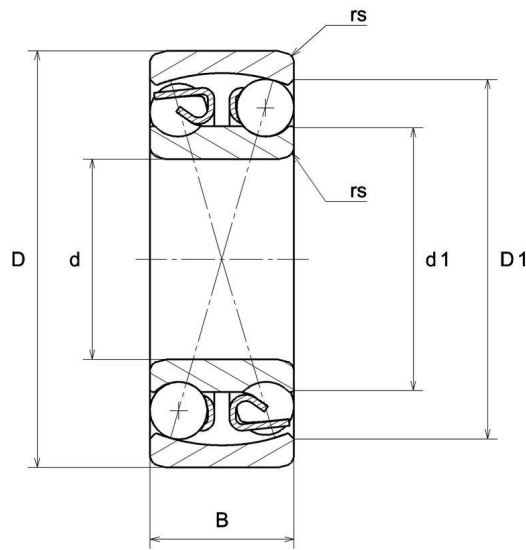
Technical data

2212

Double-row self-aligning ball bearings

Self-aligning ball bearing, pressed steel cage, open

VISUAL (S)



PRODUCT DIMENSIONS

| | |
|----------------------------------------|----------|
| Internal diameter d | 60 mm |
| External diameter D | 110 mm |
| Bearing/Inner ring width(B) | 28 mm |
| External diameter inner ring d1 | 75,7 mm |
| Inner diameter outer ring D1 | 93,5 mm |
| Min fillet radius rs | 1,5 mm |
| Coef e | 0.28 |
| Lower axial load coef (Y1) | 2.25 |
| Upper axial load coef (Y2) | 3.48 |
| Static axial load coef (Y0) | 2.36 |
| Radial clearance class | CN |
| Precision class | P0 |
| Mass | 1,069 kg |
| Brand | SNR |

PRODUCT PERFORMANCE

| | |
|------------------------------------------------------|-------------|
| Dynamic load, C | 33,7 kN |
| Static load, C0 | 12,6 kN |
| Fatigue limit load, Cu | 0,57 kN |
| Reference thermal speed (Nref) | 6600 tr/min |
| Mechanical Limit Speed Nlim | 7700 tr/min |
| Min operating temperature, Tmin | -40 °C |
| Max operating temperature, Tmax | 120 °C |
| Characteristic cage frequency, FTF | 0.431 Hz |
| Characteristic rolling element frequency, BSF | 6.94 Hz |
| Characteristic outer ring frequency, BPF0 | 7.75 Hz |
| Characteristic inner ring frequency, BRF0 | 10.25 Hz |

ABUTMENT

| | |
|-----------------------------------------------------|--------|
| Min shoulder diameter IR da min | 68 mm |
| Max shoulder diameter OR Da max | 102 mm |
| Max shaft & housing fillet radius ra max | 1,5 mm |