



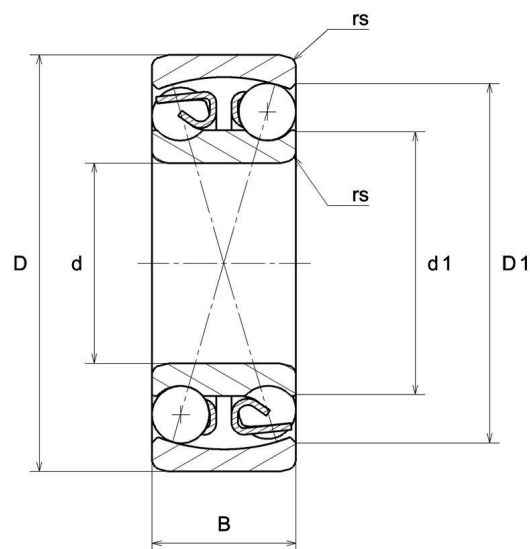
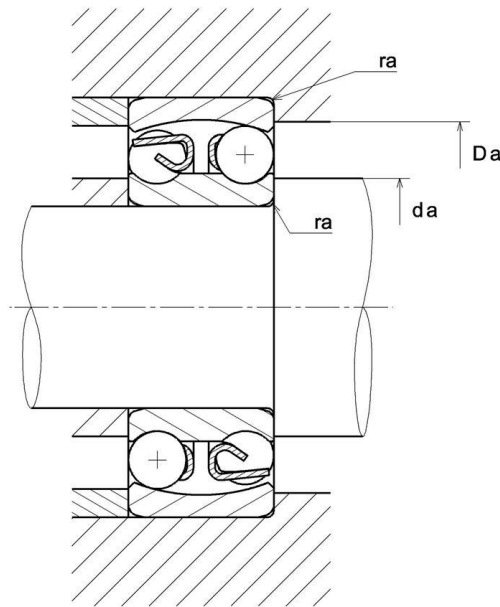
Technical data

2210

Double-row self-aligning ball bearings

Self-aligning ball bearing, pressed steel cage, open

VISUAL (S)



PRODUCT DIMENSIONS

Internal diameter d	50 mm
External diameter D	90 mm
Bearing/Inner ring width(B)	23 mm
External diameter inner ring d1	62,7 mm
Inner diameter outer ring D1	77 mm
Min fillet radius rs	1,1 mm
Coef e	0.29
Lower axial load coef (Y1)	2.2
Upper axial load coef (Y2)	3.41
Static axial load coef (Y0)	2.31
Radial clearance class	CN
Precision class	P0
Mass	0,584 kg
Brand	SNR

PRODUCT PERFORMANCE

Dynamic load, C	23 kN
Static load, C0	8,5 kN
Fatigue limit load, Cu	0,39 kN
Reference thermal speed (Nref)	7400 tr/min
Mechanical Limit Speed Nlim	9300 tr/min
Min operating temperature, Tmin	-40 °C
Max operating temperature, Tmax	120 °C
Characteristic cage frequency, FTF	0.433 Hz
Characteristic rolling element frequency, BSF	7.171 Hz
Characteristic outer ring frequency, BPF0	8.222 Hz
Characteristic inner ring frequency, BRFI	10.778 Hz

ABUTMENT

Min shoulder diameter IR da min	56,5 mm
Max shoulder diameter OR Da max	83,5 mm
Max shaft & housing fillet radius ra max	1 mm