



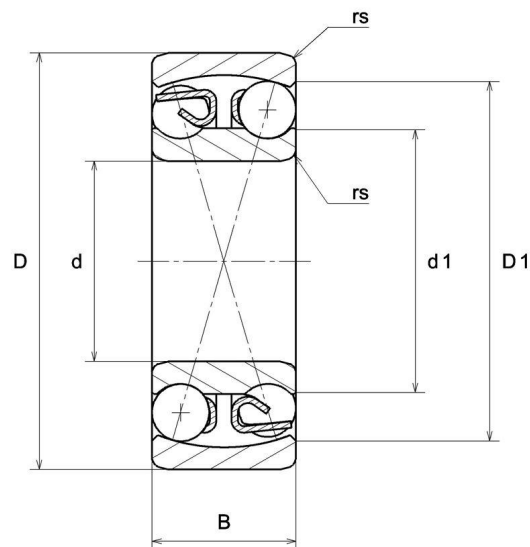
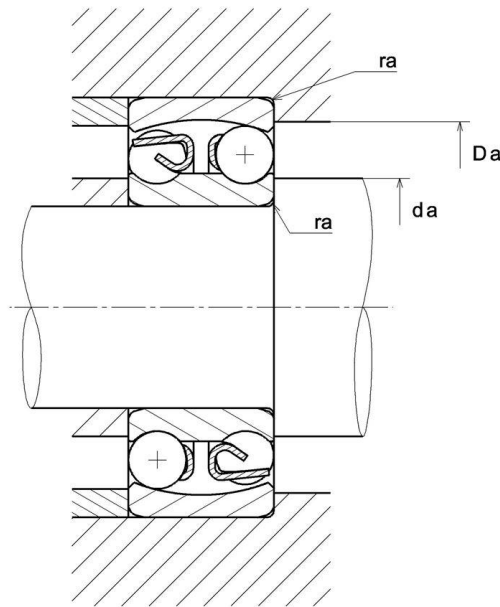
Technical data

1308

Double-row self-aligning ball bearings

Self-aligning ball bearing, pressed steel cage, open

VISUAL (S)



PRODUCT DIMENSIONS

d	40 mm
D	90 mm
Bearing/Inner ring width(B)	23 mm
d1	57,7 mm
D1	74,2 mm
rs min	1,5 mm
Coef e	0.24
Y1	2.62
Y2	4.05
Y0	2.74
Radial clearance class	CN
Precision class	P0
Mass	0,715 kg
Brand	SNR

PRODUCT PERFORMANCE

Dynamic load, C	29 kN
Static load, C0	9,7 kN
Fatigue limit load, Cu	0,44 kN
Nref	7400 tr/min
Nlim	10000 tr/min
Min operating temperature, Tmin	-40 °C
Max operating temperature, Tmax	120 °C
Characteristic cage frequency, FTF	0.417 Hz
Characteristic rolling element frequency, BSF	5.752 Hz
Characteristic outer ring frequency, BPF0	6.248 Hz
Characteristic inner ring frequency, BRFI	8.752 Hz

ABUTMENT

da min	48 mm
Da max	82 mm
ra max	1,5 mm