



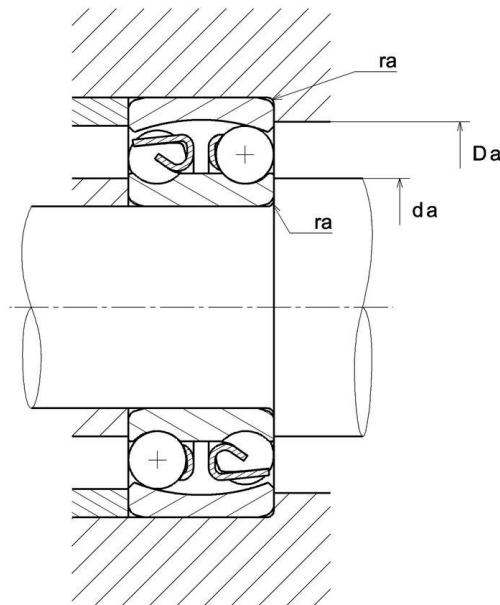
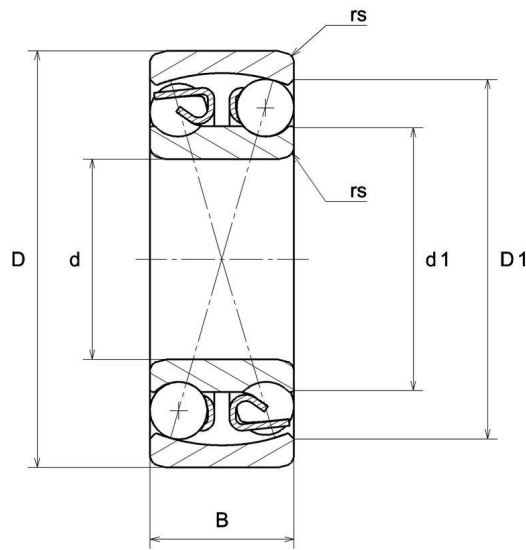
Technical data

1215

Double-row self-aligning ball bearings

Self-aligning ball bearing, pressed steel cage, open

VISUAL (S)



PRODUCT DIMENSIONS

Internal diameter d	75 mm
External diameter D	130 mm
Bearing/Inner ring width(B)	25 mm
External diameter inner ring d1	93,2 mm
Inner diameter outer ring D1	113,6 mm
Min fillet radius rs	1,5 mm
Coef e	0.18
Lower axial load coef (Y1)	3.6
Upper axial load coef (Y2)	5.57
Static axial load coef (Y0)	3.77
Radial clearance class	CN
Precision class	P0
Mass	1,341 kg
Brand	SNR

PRODUCT PERFORMANCE

Dynamic load, C	38,4 kN
Static load, C0	15,7 kN
Fatigue limit load, Cu	0,7 kN
Reference thermal speed (Nref)	5500 tr/min
Mechanical Limit Speed Nlim	6600 tr/min
Min operating temperature, Tmin	-40 °C
Max operating temperature, Tmax	120 °C
Characteristic cage frequency, FTF	0.439 Hz
Characteristic rolling element frequency, BSF	7.98 Hz
Characteristic outer ring frequency, BPF0	8.774 Hz
Characteristic inner ring frequency, BRF0	11.226 Hz

ABUTMENT

Min shoulder diameter IR da min	83 mm
Max shoulder diameter OR Da max	122 mm
Max shaft & housing fillet radius ra max	1,5 mm