



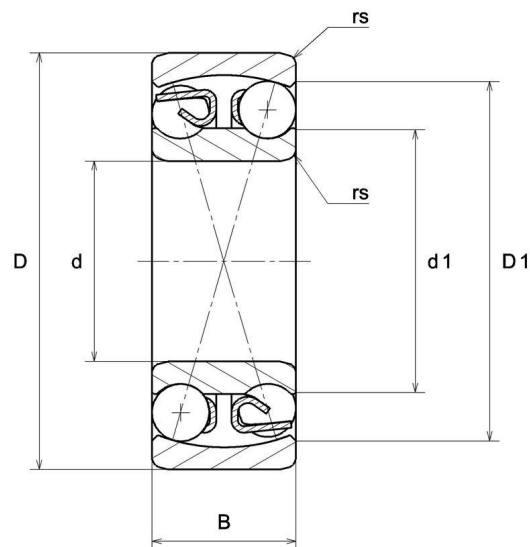
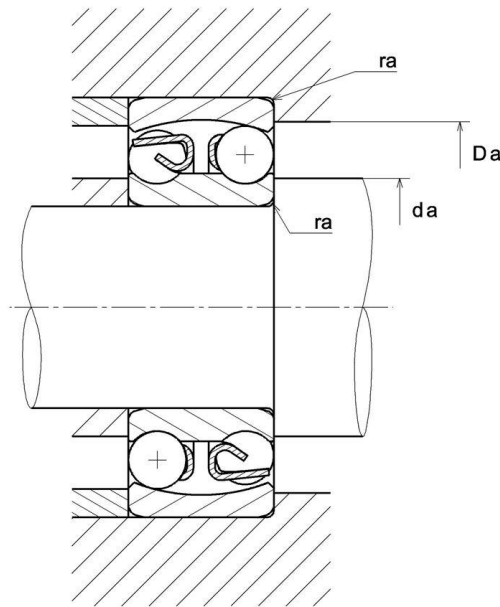
Technical data

1213

Double-row self-aligning ball bearings

Self-aligning ball bearing, pressed steel cage, open

VISUAL (S)



PRODUCT DIMENSIONS

| | |
|---------------------------------|----------|
| Internal diameter d | 65 mm |
| External diameter D | 120 mm |
| Bearing/Inner ring width(B) | 23 mm |
| External diameter inner ring d1 | 85,5 mm |
| Inner diameter outer ring D1 | 102,7 mm |
| Min fillet radius rs | 1,5 mm |
| Coef e | 0.17 |
| Lower axial load coef (Y1) | 3.7 |
| Upper axial load coef (Y2) | 5.73 |
| Static axial load coef (Y0) | 3.88 |
| Radial clearance class | CN |
| Precision class | P0 |
| Mass | 1,133 kg |
| Brand | SNR |

PRODUCT PERFORMANCE

| | |
|---|-------------|
| Dynamic load, C | 30,7 kN |
| Static load, C0 | 12,5 kN |
| Fatigue limit load, Cu | 0,57 kN |
| Reference thermal speed (Nref) | 5900 tr/min |
| Mechanical Limit Speed Nlim | 7300 tr/min |
| Min operating temperature, Tmin | -40 °C |
| Max operating temperature, Tmax | 120 °C |
| Characteristic cage frequency, FTF | 0.441 Hz |
| Characteristic rolling element frequency, BSF | 8.296 Hz |
| Characteristic outer ring frequency, BPF0 | 9.26 Hz |
| Characteristic inner ring frequency, BRFI | 11.74 Hz |

ABUTMENT

| | |
|--|--------|
| Min shoulder diameter IR da min | 73 mm |
| Max shoulder diameter OR Da max | 112 mm |
| Max shaft & housing fillet radius ra max | 1,5 mm |