

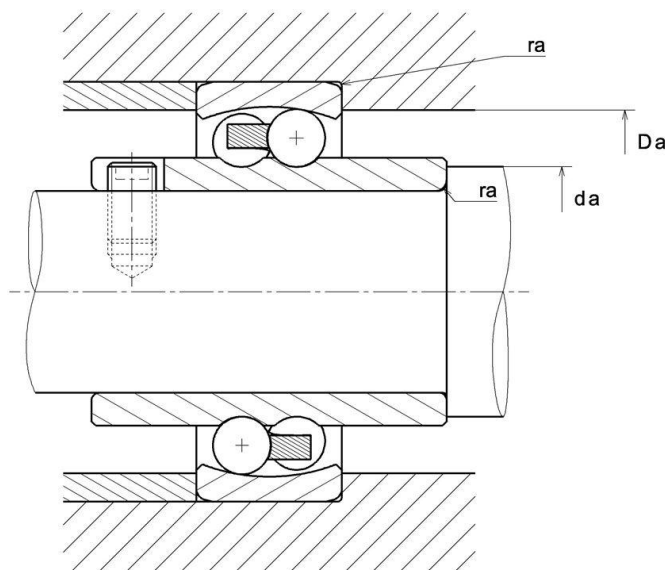
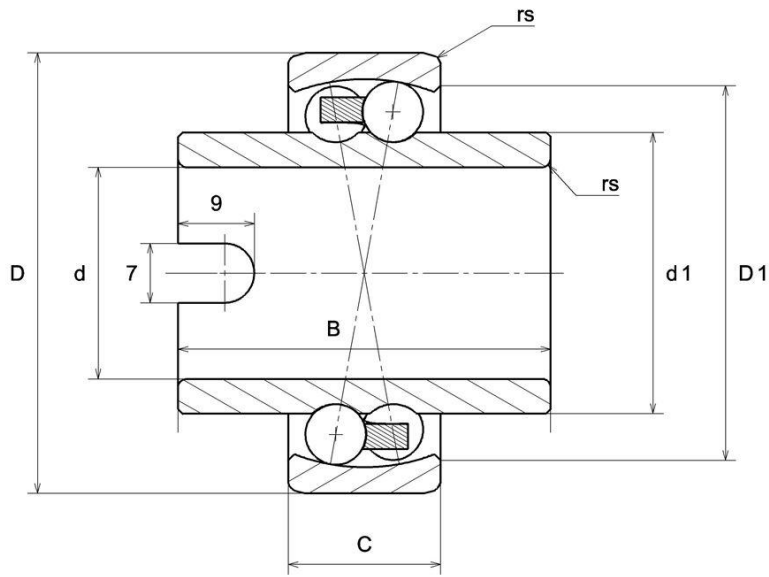
Technical data

11205G15

Double-row self-aligning ball bearings

Self-aligning ball bearing with wide inner ring, polyamide cage, open

VISUAL (S)



11205G15

Double-row self-aligning ball bearings

PRODUCT DEFINITION

Brand	SNR
d - Internal diameter	25 mm
D - External diameter	52 mm
B - Bearing/Inner ring width	44 mm
C - Outer ring width	15 mm
d1 - External diameter inner ring	33,3 mm
D1 - Inner diameter outer ring	45,3 mm
rs - Min fillet radius	1 mm
Radial clearance class	CN
Precision class	P0
Mass	0,221 kg

PRODUCT PERFORMANCE

C - Dynamic load	12,1 kN
C0 - Static load	3,3 kN
Cu - Fatigue limit load	0,15 kN
e - Coefficient	0.27
Y0 - Static axial load coefficient	2.48
Y1 - Lower axial load coefficient	2.37
Y2 - Upper axial load coefficient	3.66
Nref - Reference thermal speed	13000 tr/min
Nlim - Mechanical Limit Speed	16000 tr/min
Tmin - Min operating temperature	-20 °C
Tmax - Max operating temperature	120 °C

11205G15

Double-row self-aligning ball bearings

BEARING FREQUENCIES

BPFO - Characteristic outer ring frequency (60 rpm)	4.892 Hz
BPFI - Characteristic inner ring frequency (60 rpm)	7.108 Hz
FTF - Characteristic cage frequency (60 rpm)	0.408 Hz
BSF - Characteristic rolling element frequency (60 rpm)	5.15 Hz

ABUTMENT

da min - Min shoulder diameter IR	30 mm
Da max - Max shoulder diameter OR	47 mm
ra max - Max shaft & housing fillet radius	1 mm