



Technical data

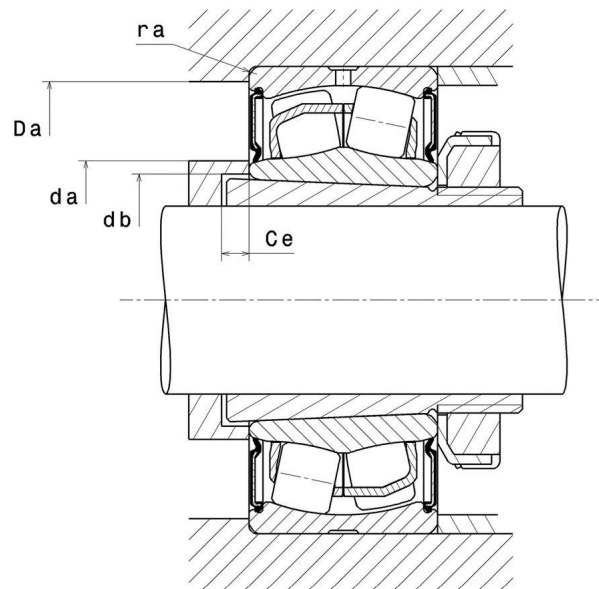
10X22210EAKW33EEC3

Spherical roller bearings

Spherical roller bearing, pressed steel cage, groove and lubrication holes on outer ring, tapered bore 1:12, non ISO width, contact seals on both sides

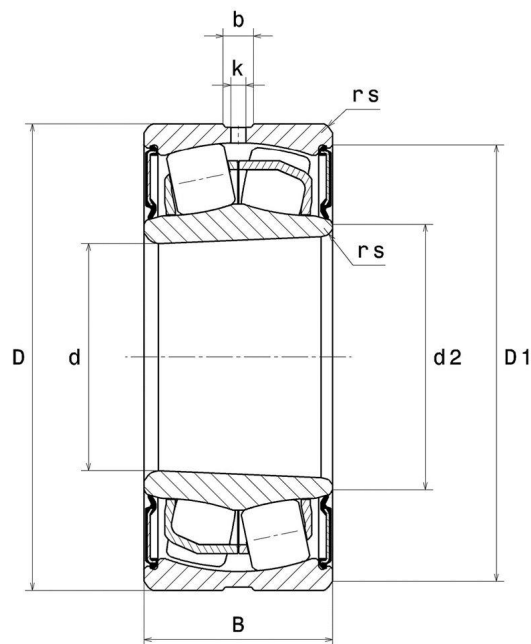
ULTAGE

VISUAL (S)



10X22210EAKW33EEC3

Spherical roller bearings



PRODUCT DIMENSIONS

| | |
|--|---------|
| Internal diameter (d) | 50 mm |
| External diameter (D) | 90 mm |
| Bearing/Inner ring width (B) | 28 mm |
| External diameter inner ring (d2) | 57,1 mm |
| Inner diameter outer ring (D1) | 82,2 mm |
| Min fillet radius (rs) | 1,1 mm |
| Number of lubrication holes | 3 or 4 |
| Groove width (b) | 5,83 mm |
| Hole diameter (k) | 2,5 mm |
| Associated sleeve reference | H310E |
| Coef (e) | 0.24 |
| Lower axial load coef (Y1) | 2.84 |
| Upper axial load coef (Y2) | 4.23 |

10X22210EAKW33EEC3

Spherical roller bearings

PRODUCT DIMENSIONS

| | |
|------------------------------------|----------|
| Static axial load coef (Y0) | 2.78 |
| Radial clearance class | C3 |
| Mass | 0,683 kg |
| Brand | SNR |

PRODUCT PERFORMANCE

| | |
|---|-------------|
| Dynamic load (C) | 130 kN |
| Static load (C0) | 124 kN |
| Fatigue limit load (Cu) | 15,1 kN |
| Mechanical Limit Speed (Nlim) | 1900 tr/min |
| Min operating temperature (Tmin) | -20 °C |
| Max operating temperature (Tmax) | 120 °C |

ABUTMENT

| | |
|---|---------|
| Max shoulder diameter IR (da max) | 57,1 mm |
| Min shoulder diameter IR (da min) | 57 mm |
| Min diameter for Sleeve (db) | 55 mm |
| Min length fro Sleeve (Ce) | 4 mm |
| Max shoulder diameter OR (Da max) | 83 mm |
| Max shaft & housing fillet radius (ra max) | 1 mm |

INDUSTRY CALCUL FACTORS

Equivalent dynamic radial load

$$P = X.F_r + Y.F_a$$

| Fa / Fr ≤ e | | Fa / Fr > e | |
|-------------|----|-------------|----|
| X | Y | X | Y |
| 1 | Y1 | 0.67 | Y2 |

Equivalent static radial load

$$P_o = X_o.F_r + Y_o.F_a$$

| X _o | Y _o |
|----------------|----------------|
| 1 | Y0 |

The values for e, Y1, Y2 and Y0 are shown in the above table .