



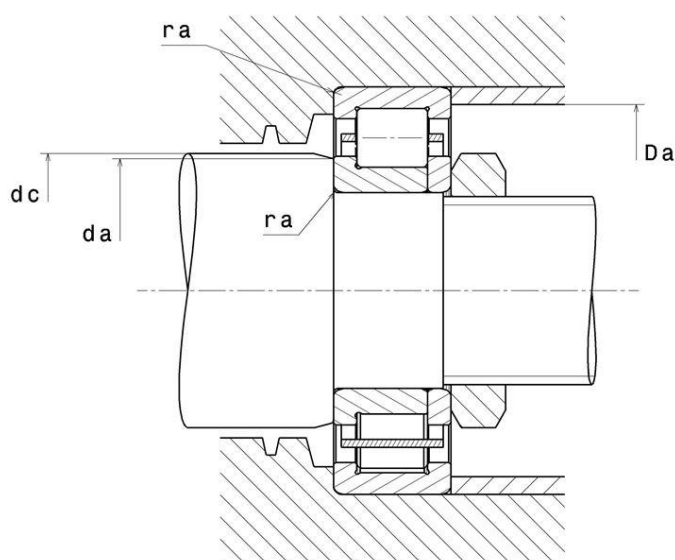
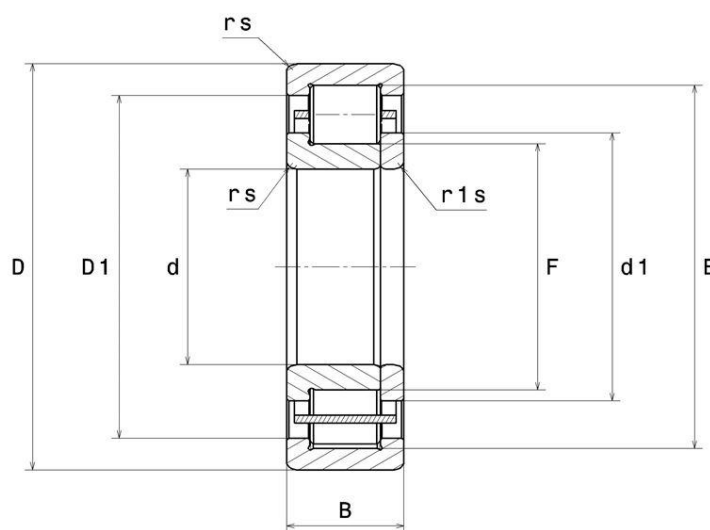
Technical data

NUP2314U

Single row cylindrical roller bearings

Single row cylindrical roller bearing, locating, separable, pressed steel cage

VISUAL (S)



NUP2314U

Single row cylindrical roller bearings

PRODUCT DIMENSIONS

Internal diameter (d)	70 mm
External diameter (D)	150 mm
Bearing/Inner ring width (B)	51 mm
Upper roller diameter E	130 mm
Under roller diameter F	90 mm
d1	98 mm
Min fillet radius (rs)	2,1 mm
Min fillet radius r1s	2,1 mm
Radial clearance class	CN
Mass	4,275 kg
Brand	NTN

PRODUCT PERFORMANCE

Dynamic load (C)	223 kN
Static load (C0)	262 kN
Fatigue limit load (Cu)	31,1 kN
Nlim (oil)	4800 tr/min
Nlim (grease)	4100 tr/min
Min operating temperature (Tmin)	-40 °C
Max operating temperature (Tmax)	120 °C
Characteristic cage frequency, FTF	0.409 Hz
Characteristic rolling element frequency, BSF	5.318 Hz
Characteristic outer ring frequency, BPF0	5.318 Hz
Characteristic inner ring frequency, BPFI	7.682 Hz

NUP2314U

Single row cylindrical roller bearings

ABUTMENT

Min shoulder diameter IR (da min)	81 mm
Min NJ & N type IR GO diameter dc min	100 mm
Max shoulder diameter OR (Da max)	139 mm
Max fillet radius ra max	2 mm

INDUSTRY CALCUL FACTORS

Equivalent dynamic radial load

$$P = Fr$$

Equivalent static radial load

$$Po = Fr$$