



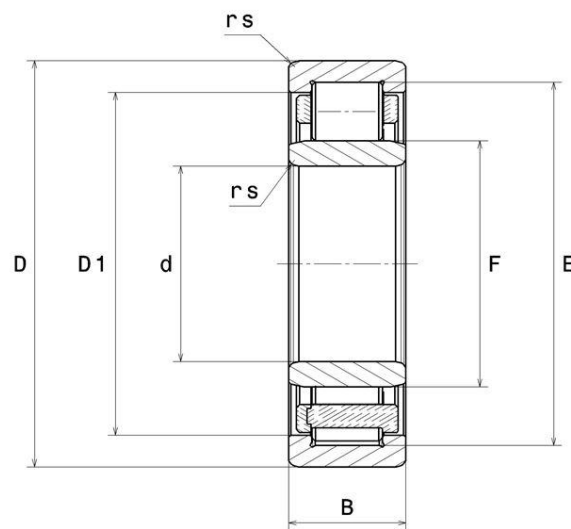
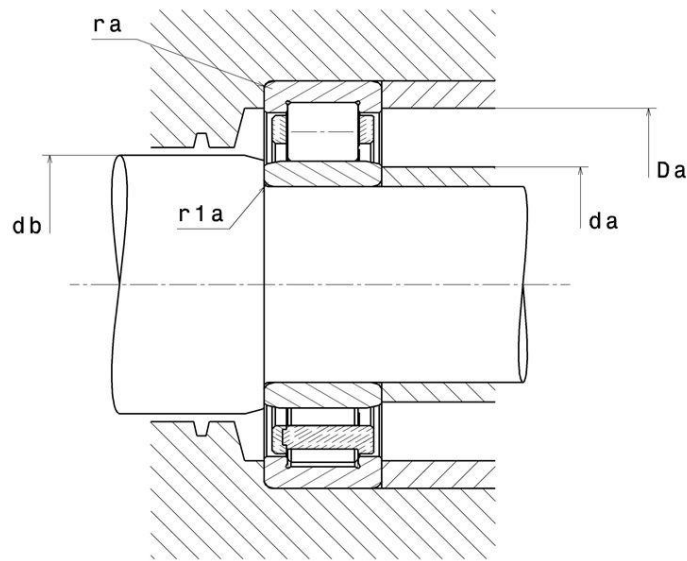
**Technical data**

**NU205EG1C3**

Single row cylindrical roller bearings

Single row cylindrical roller bearing, floating, separable, brass cage

**VISUAL (S)**



# NU205EG1C3

Single row cylindrical roller bearings

## PRODUCT DIMENSIONS

<b>Internal diameter d</b>	25 mm
<b>External diameter D</b>	52 mm
<b>Bearing/Inner ring width(B)</b>	15 mm
<b>Upper roller diameter E</b>	46,5 mm
<b>Under roller diameter F</b>	31,5 mm
<b>Min fillet radius rs</b>	1 mm
<b>Min fillet radius r1s</b>	0,6 mm
<b>Radial clearance class</b>	C3
<b>Mass</b>	0,142 kg
<b>Brand</b>	NTN

## PRODUCT PERFORMANCE

<b>Dynamic load, C</b>	29,3 kN
<b>Static load, C0</b>	27,7 kN
<b>Fatigue limit load, Cu</b>	3,4 kN
<b>Nlim (oil)</b>	15000 tr/min
<b>Nlim (grease)</b>	13000 tr/min
<b>Min operating temperature, Tmin</b>	-40 °C
<b>Max operating temperature, Tmax</b>	120 °C
<b>Characteristic cage frequency, FTF</b>	0.404 Hz
<b>Characteristic rolling element frequency, BSF</b>	5.008 Hz
<b>Characteristic outer ring frequency, BPF0</b>	5.25 Hz
<b>Characteristic inner ring frequency, BRFI</b>	7.75 Hz

## ABUTMENT

<b>Min shoulder diameter IR da min</b>	29 mm
<b>Small face shoulder max diameter da max</b>	31 mm
<b>db min</b>	34 mm
<b>Max shoulder diameter OR Da max</b>	47 mm
<b>Max fillet radius ra max</b>	1 mm
<b>Maxi fillet radius r1a</b>	0,6 mm

# NU205EG1C3

Single row cylindrical roller bearings

## INDUSTRY CALCUL FACTORS

Equivalent dynamic radial load

$$P = Fr$$

Equivalent static radial load

$$P_0 = Fr$$