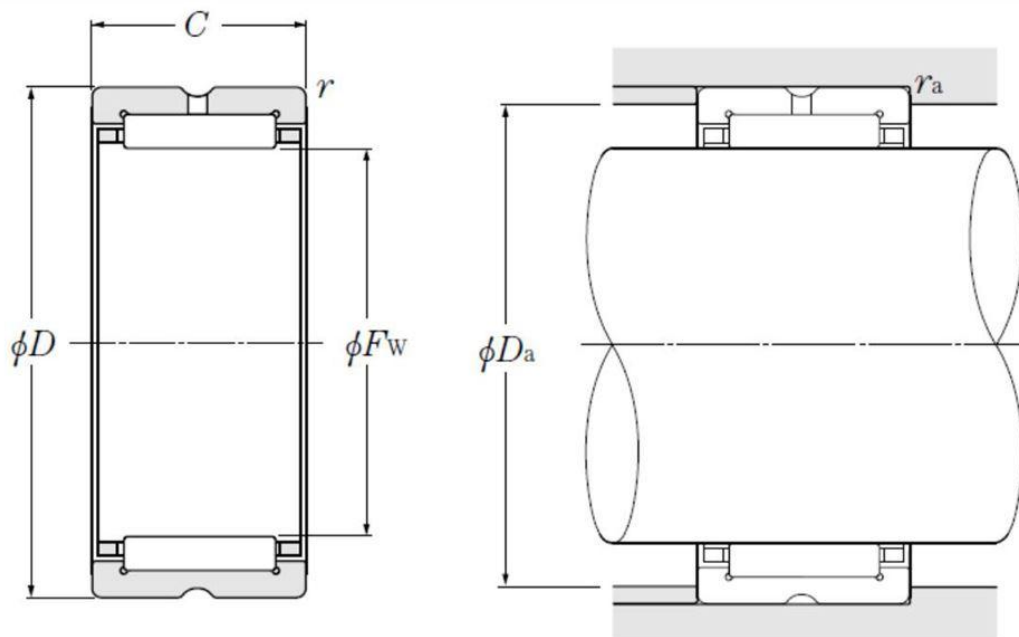


Technical data

NK29/30R

Needle roller bearing, machined-ring, without inner ring

VISUAL (S)



PRODUCT PERFORMANCE

Cr	27,5 kN
C0r	50,5 kN
Nlim (grease)	9500 tr/min
Nlim (oil)	14000 tr/min
Min operating temperature, Tmin	-20 °C
Max operating temperature, Tmax	120 °C
Characteristic cage frequency, FTF	0.46 Hz
Characteristic rolling element frequency, BSF	12.521 Hz
Characteristic outer ring frequency, BPF0	9.667 Hz
Characteristic inner ring frequency, BPF1	11.333 Hz

PRODUCT DIMENSIONS

Fw	29 mm
-----------	-------

NK29/30R

Needle roller bearing, machined-ring, without inner ring

PRODUCT DIMENSIONS

D	38 mm
C	30 mm
rs min	0,3 mm
Lubrication hole on outer ring	Yes
Hole diameter (k)	2,5 mm
Radial clearance class	CN
Precision class	P0
Mass	0,084 kg
Brand	NTN

ABUTMENT

Da max	36 mm
ras max	0,3 mm