

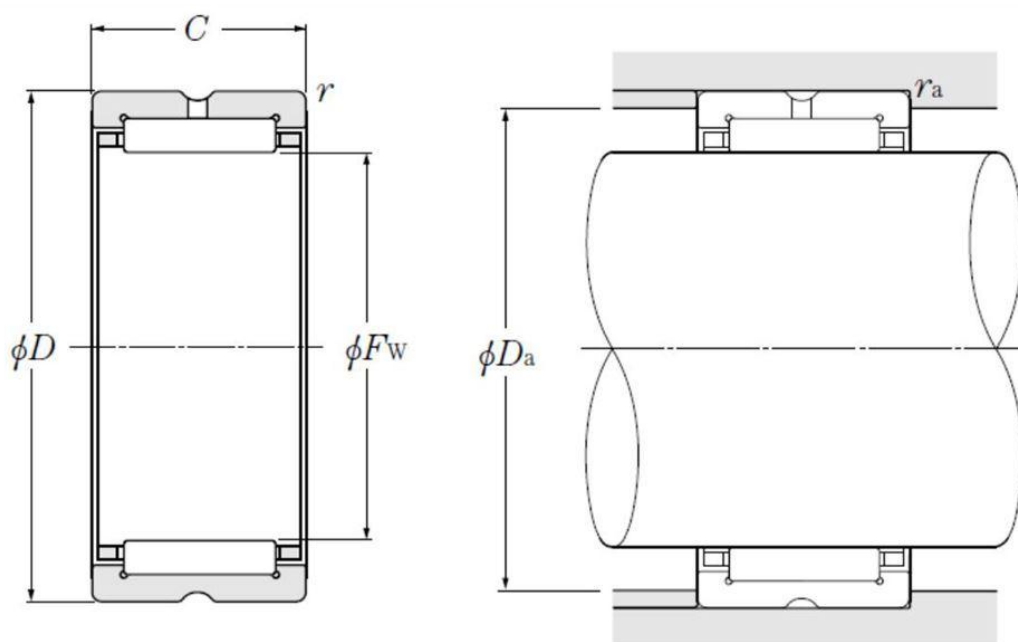
Technical data

NK25/20RCT

Needle roller bearing, machined-ring, without inner ring

Needle roller bearing, machined-ring, without inner ring, double-side ribs, lubrication hole

VISUAL (S)



PRODUCT PERFORMANCE

Dynamic load rating (Cr)	19,2 kN
Static load rating (C0r)	30,5 kN
Nlim (grease)	11000 tr/min
Nlim (oil)	16000 tr/min
Min operating temperature, Tmin	-20 °C
Max operating temperature, Tmax	120 °C
Characteristic cage frequency, FTF	0.455 Hz
Characteristic rolling element frequency, BSF	10.909 Hz
Characteristic outer ring frequency, BPF0	9.091 Hz
Characteristic inner ring frequency, BRF0	10.909 Hz

NK25/20RCT

Needle roller bearing, machined-ring, without inner ring

PRODUCT DIMENSIONS

Under rollers diameter (Fw)	25 mm
External diameter D	33 mm
Width of bearing, drawn cup or outer ring (C)	20 mm
Min fillet radius rs	0,3 mm
Lubrication hole on outer ring	Yes
Hole diameter (k)	2,5 mm
Radial clearance class	CN
Precision class	P0
Mass	0,042 kg
Brand	NTN

ABUTMENT

Max shoulder diameter OR Da max	31 mm
Max shaft & housing fillet radius (ras max)	0,3 mm