



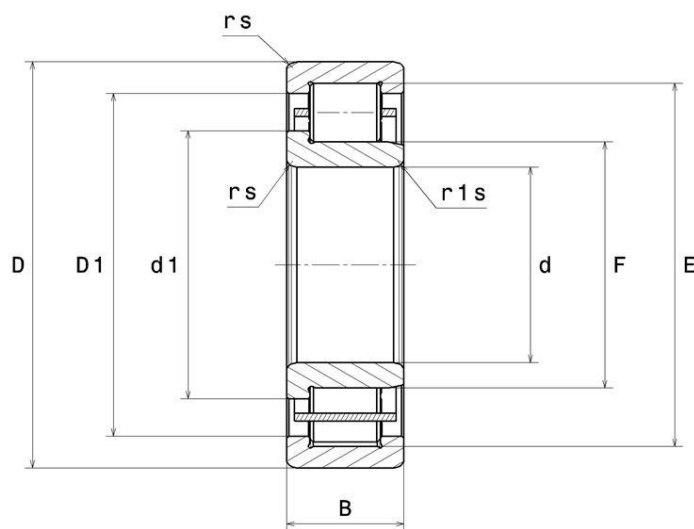
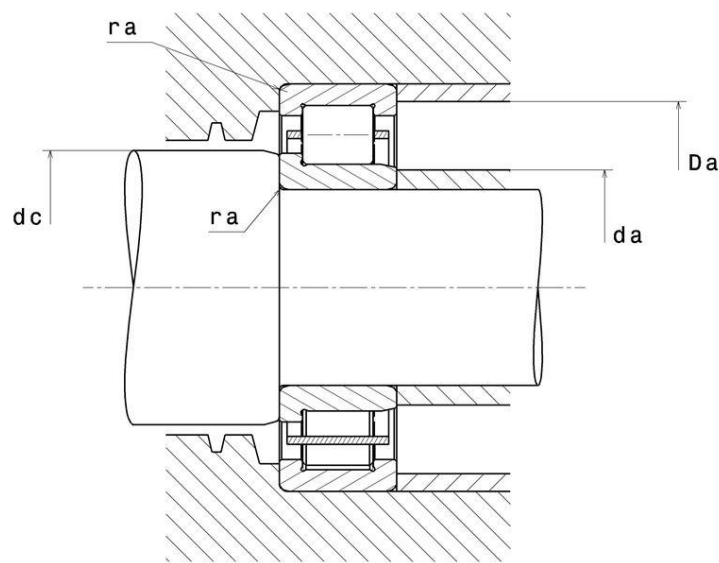
Technical data

NJ2220C3

Single row cylindrical roller bearings

Single row cylindrical roller bearing, single direction for axial loads, separable, pressed steel cage.

VISUAL (S)



NJ2220C3

Single row cylindrical roller bearings

PRODUCT DIMENSIONS

Internal diameter (d)	100 mm
External diameter (D)	180 mm
Bearing/Inner ring width (B)	46 mm
Upper roller diameter E	160 mm
Under roller diameter F	120 mm
d1	128 mm
Min fillet radius (rs)	2,1 mm
Min fillet radius r1s	2,1 mm
Radial clearance class	C3
Mass	4,86 kg
Brand	NTN

PRODUCT PERFORMANCE

Dynamic load (C)	286 kN
Static load (C0)	340 kN
Fatigue limit load (Cu)	37,5 kN
Nlim (oil)	4100 tr/min
Nlim (grease)	3500 tr/min
Min operating temperature (Tmin)	-40 °C
Max operating temperature (Tmax)	120 °C
Characteristic cage frequency, FTF	0.429 Hz
Characteristic rolling element frequency, BSF	6.857 Hz
Characteristic outer ring frequency, BPF0	6.857 Hz
Characteristic inner ring frequency, BPFI	9.143 Hz

NJ2220C3

Single row cylindrical roller bearings

ABUTMENT

Min shoulder diameter IR (da min)	111 mm
Small face shoulder max diameter da max	117 mm
Min NJ & N type IR GO diameter dc min	130 mm
Max shoulder diameter OR (Da max)	169 mm
Max fillet radius ra max	2 mm

INDUSTRY CALCUL FACTORS

Equivalent dynamic radial load

$$P = Fr$$

Equivalent static radial load

$$P_0 = Fr$$