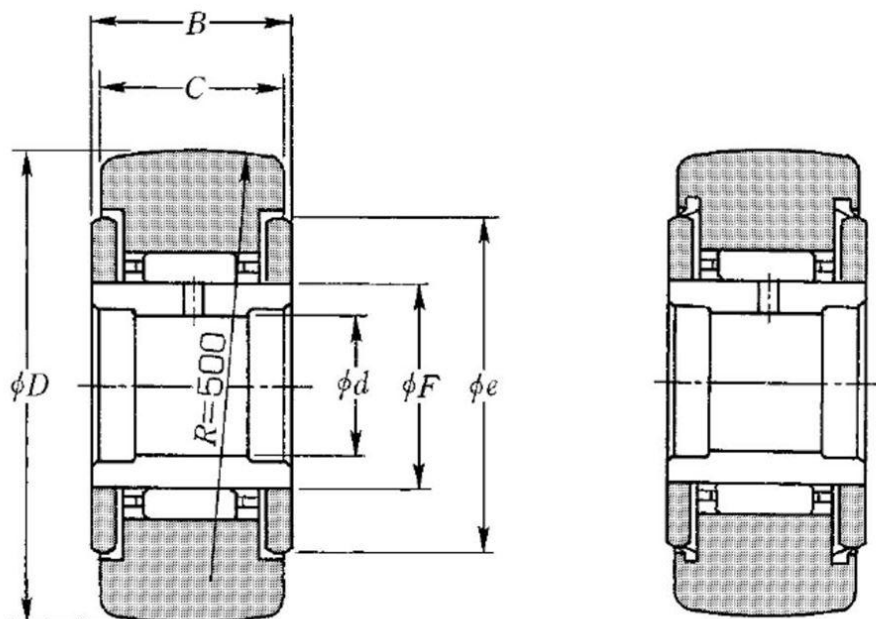


Technical data

NATR17LL/3AS

Roller follower with inner ring

VISUAL (S)



PRODUCT DIMENSIONS

| | |
|--|---------|
| Internal diameter d | 17 mm |
| External diameter D | 40 mm |
| Width of bearing, drawn cup or outer ring (C) | 20 mm |
| Under roller diameter F | 22 mm |
| Bearing/Inner ring width(B) | 21 mm |
| Inlet diameter of roller or washer (e) | 32 mm |
| Track roller radius (R) | 500 mm |
| Bearing with/without cage | With |
| Radial clearance class | CN |
| Precision class | P0 |
| Mass | 0,14 kg |
| Brand | NTN |

NATR17LL/3AS

Roller follower with inner ring

PRODUCT PERFORMANCE

| | |
|--|-------------|
| Dynamic load rating (Cr) | 14 kN |
| Static load rating (C0r) | 22,8 kN |
| Track load capacity spherical outer ring | 3,85 kN |
| Nlim (grease) | 7000 tr/min |
| Min operating temperature, Tmin | -20 °C |
| Max operating temperature, Tmax | 100 °C |
| Characteristic cage frequency, FTF | 0.458 Hz |
| Characteristic rolling element frequency, BSF | 11.917 Hz |
| Characteristic outer ring frequency, BPF0 | 11.0 Hz |
| Characteristic inner ring frequency, BPFI | 13.0 Hz |