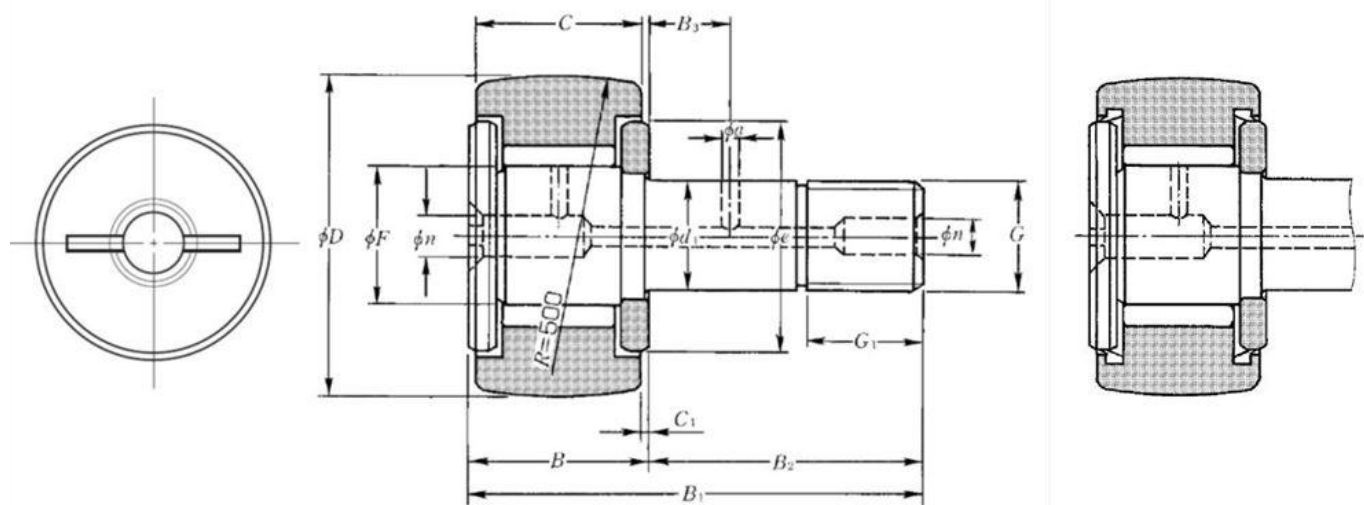


Technical data

KRV35LL/3AS

Cam follower with shaft

VISUAL (S)



PRODUCT PERFORMANCE

Dynamic load rating (Cr)	17,6 kN
Static load rating (C0r)	34 kN
Track load capacity spherical outer ring	3,2 kN
Nlim (grease)	5500 tr/min
Min operating temperature, Tmin	-20 °C
Max operating temperature, Tmax	100 °C
Characteristic cage frequency, FTF	0.45 Hz
Characteristic rolling element frequency, BSF	9.81 Hz
Characteristic outer ring frequency, BPF0	13.936 Hz
Characteristic inner ring frequency, BRFI	17.064 Hz

PRODUCT DIMENSIONS

External diameter D	35 mm
---------------------	-------

PRODUCT DIMENSIONS

Stud diameter (d1)	16 mm
Width of bearing, drawn cup or outer ring (C)	18 mm
Under roller diameter F	18 mm
Bearing/Inner ring width(B)	19,5 mm
Total stud length (B1)	52 mm
Stud rod length (B2)	32,5 mm
Stud thread designation (G)	M16X1.5
Thread length of the stud (G1)	17 mm
Distance between washer face and radial lub hole. (B3)	8 mm
Distance between roller face and washer face (C1)	0,8 mm
Axial lubrication hole diameter (n)	6 mm
Radial lubrication hole diameter (a)	3 mm
Inlet diameter of roller or washer (e)	27 mm
Track roller radius (R)	500 mm
Maximum tightening torque	52.0 N-m
Bearing with/without cage	Without
Radial clearance class	CN
Precision class	P0
Mass	0,172 kg
Brand	NTN