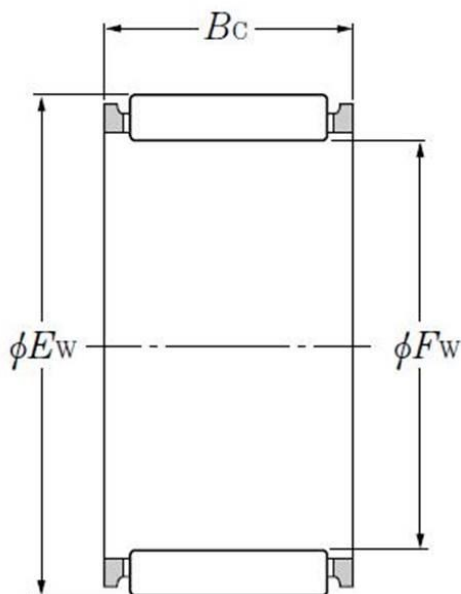


Technical data

K55X63X32

Needle roller and cage assemblies

VISUAL (S)



PRODUCT DIMENSIONS

Fw	55 mm
Ew	63 mm
Bc	32 mm
Mass	0,117 kg
Brand	NTN

PRODUCT PERFORMANCE

Cr	61 kN
C0r	125 kN
Nlim (grease)	5000 tr/min
Nlim (oil)	7500 tr/min
Min operating temperature, Tmin	-20 °C
Max operating temperature, Tmax	120 °C

K55X63X32

Needle roller and cage assemblies

PRODUCT PERFORMANCE

Characteristic cage frequency, FTF	0.466 Hz
Characteristic rolling element frequency, BSF	14.682 Hz
Characteristic outer ring frequency, BPF0	13.051 Hz
Characteristic inner ring frequency, BPII	14.949 Hz

ABUTMENT

b	32 mm
----------	-------