

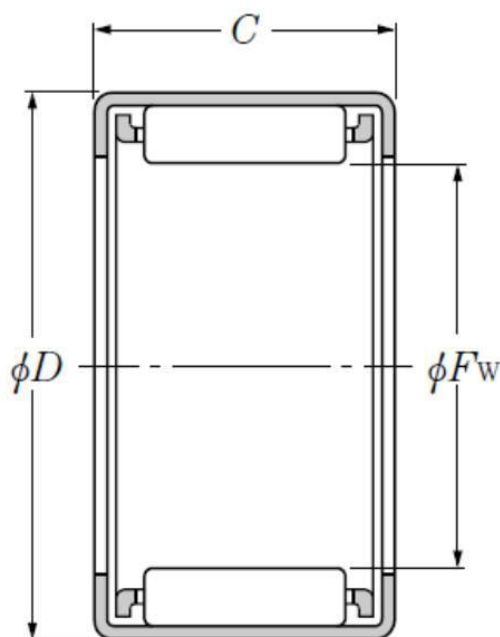
Technical data

HK3520

Drawn cup needle roller bearings, opened end

Needle roller bearing, drawn cup, open end

VISUAL (S)



PRODUCT DIMENSIONS

Under rollers diameter (Fw)	35 mm
External diameter D	42 mm
Width of bearing, drawn cup or outer ring (C)	20 mm
Lubrication hole on outer ring	No
Inner ring reference	No
Mass	0,046 kg
Brand	NTN

PRODUCT PERFORMANCE

Dynamic load rating (Cr)	24,8 kN
Static load rating (C0r)	47,5 kN
Nlim (grease)	4700 tr/min

HK3520

Drawn cup needle roller bearings, opened end

PRODUCT PERFORMANCE

Nlim (oil)	7000 tr/min
Min operating temperature, Tmin	-20 °C
Max operating temperature, Tmax	120 °C
Characteristic cage frequency, FTF	0.467 Hz
Characteristic rolling element frequency, BSF	14.933 Hz
Characteristic outer ring frequency, BPF0	14.0 Hz
Characteristic inner ring frequency, BPFI	16.0 Hz