

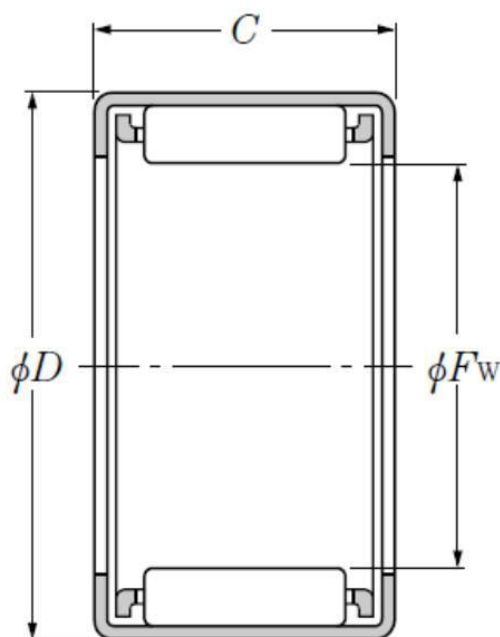
Technical data

HK1612

Drawn cup needle roller bearings, opened end

Needle roller bearing, drawn cup, open end

VISUAL (S)



PRODUCT DIMENSIONS

Under rollers diameter (Fw)	16 mm
External diameter D	22 mm
Width of bearing, drawn cup or outer ring (C)	12 mm
Lubrication hole on outer ring	No
Inner ring reference	IR12X16X13
Mass	0,012 kg
Brand	NTN

PRODUCT PERFORMANCE

Dynamic load rating (Cr)	7,75 kN
Static load rating (C0r)	9,7 kN
Nlim (grease)	10000 tr/min

HK1612

Drawn cup needle roller bearings, opened end

PRODUCT PERFORMANCE

Nlim (oil)	15000 tr/min
Min operating temperature, Tmin	-20 °C
Max operating temperature, Tmax	120 °C
Characteristic cage frequency, FTF	0.444 Hz
Characteristic rolling element frequency, BSF	8.889 Hz
Characteristic outer ring frequency, BPF0	8.0 Hz
Characteristic inner ring frequency, BPFI	10.0 Hz