



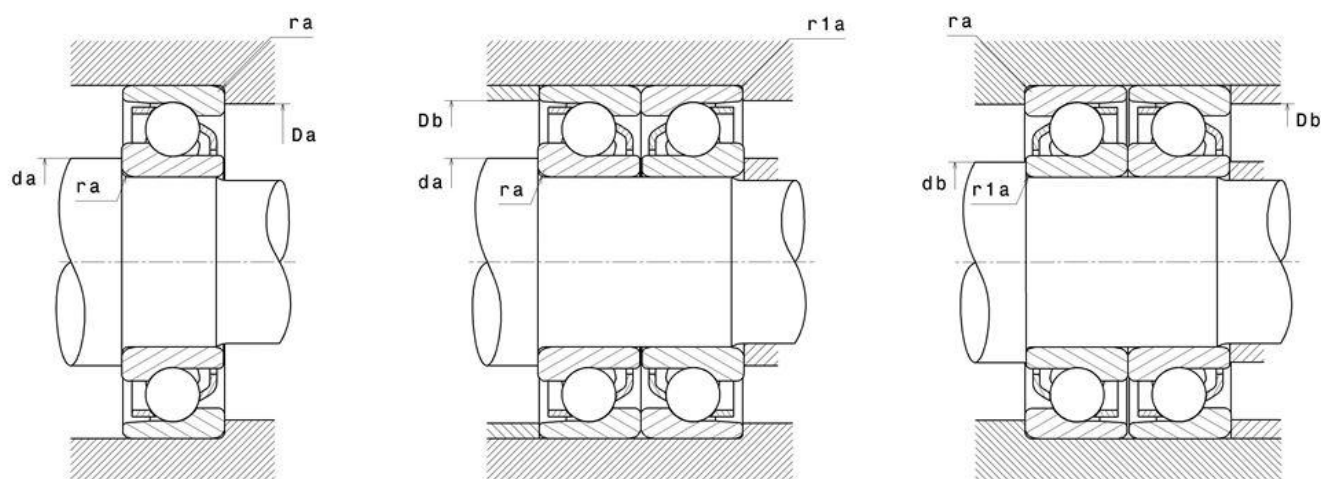
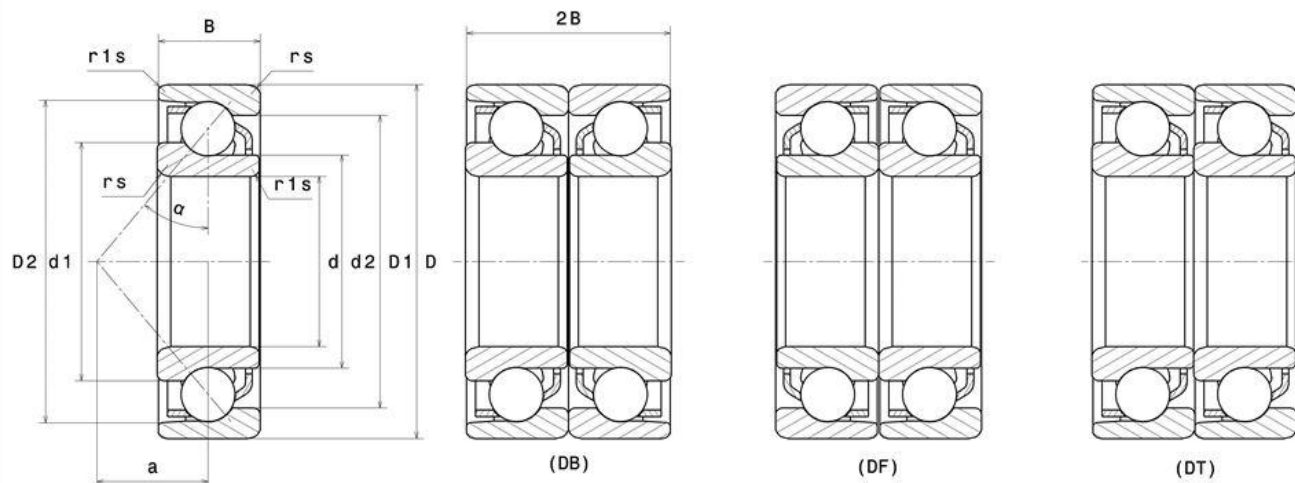
Technical data

7201B

Single row or matched pairs of angular contact ball bearings

Angular contact ball bearings, pressed steel cage

VISUAL (S)



7201B

Single row or matched pairs of angular contact ball bearings

PRODUCT DIMENSIONS

Internal diameter d	12 mm
External diameter D	32 mm
Bearing/Inner ring width(B)	10 mm
Charge load application point a	14 mm
Contact angle	40.0 °
Min fillet radius rs	0,6 mm
Min fillet radius r1s	0,3 mm
Radial clearance class	CN
Mass	0,036 kg
Brand	NTN

PRODUCT PERFORMANCE

Dynamic load, C	7,75 kN
Static load, C0	3,65 kN
Fatigue limit load, Cu	0,287 kN
Nlim (oil)	28000 tr/min
Nlim (grease)	21000 tr/min
Min operating temperature, Tmin	-40 °C
Max operating temperature, Tmax	120 °C

ABUTMENT

Min shoulder diameter IR da min	16,5 mm
Min IR shoulder diameter (db min)	14,5 mm
Max shoulder diameter OR Da max	27,5 mm
Max OR shoulder diameter (Db max)	29,5 mm
Maxi fillet radius r1a	0,3 mm
Max shaft & housing fillet radius ra max	0,6 mm

7201B

Single row or matched pairs of angular contact ball bearings

INDUSTRY CALCUL FACTORS

Equivalent dynamic radial load

$$P = X.F_r + Y.F_a$$

	e	Single or DT bearing arrangement				DB or DF arrangement			
		Fa / Fr ≤ e		Fa / Fr > e		Fa / Fr ≤ e		Fa / Fr > e	
		X	Y	X	Y	X	Y	X	Y
30°	0.8	1	0	0.9	0.76	1	0.78	0.63	1.24
40°	1.14			0.35	0.57		0.55	0.57	0.93

Equivalent static radial load

$$P_0 = X_0.F_r + Y_0.F_a$$

a	Single or DT bearing arrangement		DB or DF arrangement	
	X ₀	Y ₀	X ₀	Y ₀
30°	0.5	0.33	1	0.66
40°		0.26		0.52

For single or DT bearing arrangement :

If $P_0 < F_r$, then use $P_0 = F_r$