

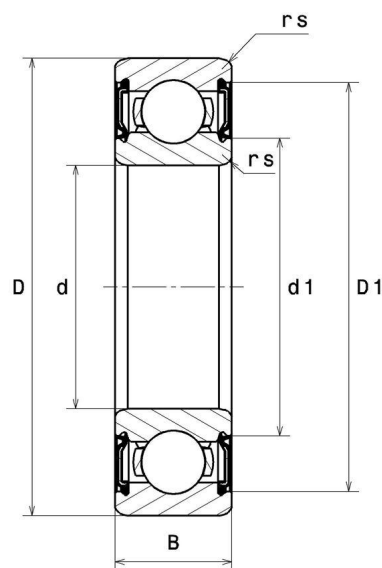
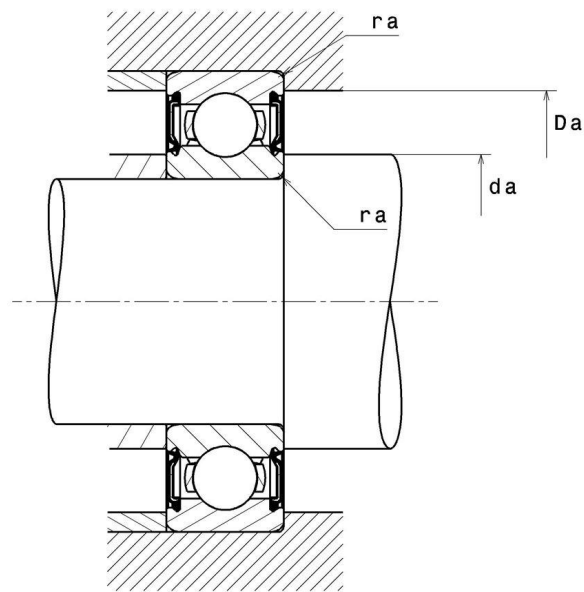
Technical data

6912LLU/5K

Single row deep groove ball bearings

Deep groove ball bearing, radial contact, pressed steel cage, contact seals on both sides

VISUAL (S)



6912LLU/5K

Single row deep groove ball bearings

PRODUCT DIMENSIONS

Internal diameter d	60 mm
External diameter D	85 mm
Bearing/Inner ring width(B)	13 mm
Min fillet radius rs	1 mm
Radial clearance class	CN
Mass	0,193 kg
Brand	NTN

PRODUCT PERFORMANCE

Dynamic load, C	18,2 kN
Static load, C0	14,3 kN
Fatigue limit load, Cu	0,965 kN
Coefficient f0	16.4
Nlim (grease)	4300 tr/min
Min operating temperature, Tmin	-25 °C
Max operating temperature, Tmax	110 °C
Characteristic cage frequency, FTF	0.451 Hz
Characteristic rolling element frequency, BSF	10.05 Hz
Characteristic outer ring frequency, BPF0	7.662 Hz
Characteristic inner ring frequency, BPF1	9.338 Hz

ABUTMENT

Min shoulder diameter IR da min	65 mm
Max shoulder diameter IR da max	66,5 mm
Max shoulder diameter OR Da max	80 mm
Max shaft & housing fillet radius ra max	1 mm

INDUSTRY CALCUL FACTORS

Equivalent dynamic radial load

$$P = X.F_r + Y.F_a$$

$\frac{f_0 F_a}{C_0}$	e	Fa / Fr ≤ e		Fa / Fr > e	
		X	Y	X	Y
0.172	0.19	1	0	0.56	2.3
0.345	0.22				1.99
0.689	0.26				1.71
1.03	0.28				1.55
1.38	0.3				1.45
2.07	0.34				1.31
3.45	0.38				1.15
5.17	0.42				1.04
6.89	0.44				1

Equivalent static radial load

$$P_0 = X_0.F_r + Y_0.F_a$$

X_0	Y_0
0.6	0.5

For single or DT bearing arrangement:

If $P_0 < F_r$, then use $P_0 = F_r$