

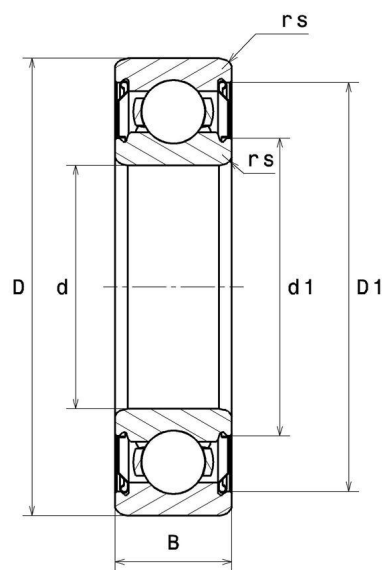
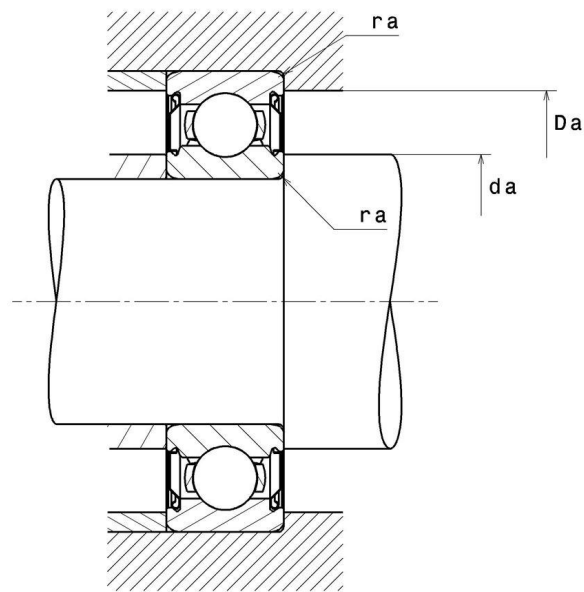
Technical data

6300ZZ/5K

Single row deep groove ball bearings

Deep groove ball bearing, radial contact, pressed steel cage, shields on both sides

VISUAL (S)



6300ZZ/5K

Single row deep groove ball bearings

PRODUCT DIMENSIONS

d	10 mm
D	35 mm
Bearing/Inner ring width(B)	11 mm
rs min	0,6 mm
Radial clearance class	CN
Mass	0,053 kg
Brand	NTN

PRODUCT PERFORMANCE

Dynamic load, C	9,1 kN
Static load, C0	3,5 kN
Fatigue limit load, Cu	0,273 kN
f0	11.4
Nlim (grease)	23000 tr/min
Min operating temperature, Tmin	-40 °C
Max operating temperature, Tmax	150 °C
Characteristic cage frequency, FTF	0.346 Hz
Characteristic rolling element frequency, BSF	2.94 Hz
Characteristic outer ring frequency, BPF0	2.076 Hz
Characteristic inner ring frequency, BPF1	3.924 Hz

ABUTMENT

da min	14 mm
Da max	31 mm
ra max	0,6 mm

INDUSTRY CALCUL FACTORS

Equivalent dynamic radial load

$$P = X.F_r + Y.F_a$$

$\frac{f_0 F_a}{C_0}$	e	Fa / Fr ≤ e		Fa / Fr > e	
		X	Y	X	Y
0.172	0.19	1	0	0.56	2.3
0.345	0.22				1.99
0.689	0.26				1.71
1.03	0.28				1.55
1.38	0.3				1.45
2.07	0.34				1.31
3.45	0.38				1.15
5.17	0.42				1.04
6.89	0.44				1

Equivalent static radial load

$$P_0 = X_0.F_r + Y_0.F_a$$

X_0	Y_0
0.6	0.5

For single or DT bearing arrangement:

If $P_0 < F_r$, then use $P_0 = F_r$