

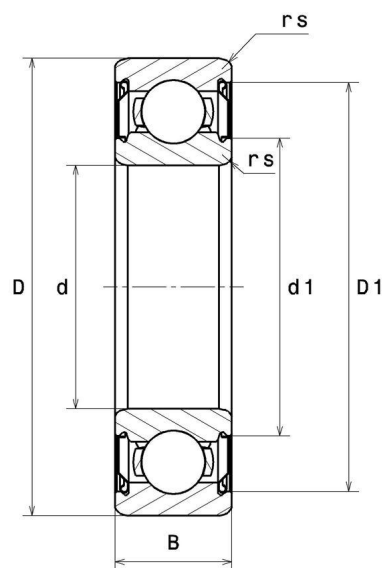
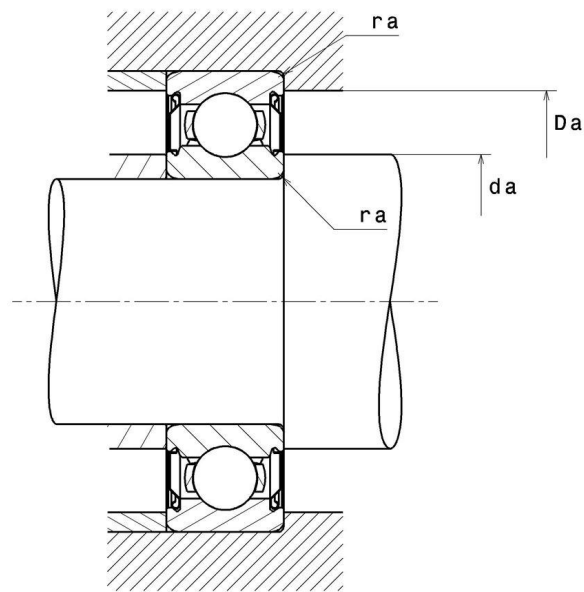
Technical data

628ZZ/5K

Single row deep groove ball bearings

Deep groove ball bearing, radial contact, pressed steel cage, shields on both sides

VISUAL (S)



628ZZ/5K

Single row deep groove ball bearings

PRODUCT DIMENSIONS

Internal diameter d	8 mm
External diameter D	24 mm
Bearing/Inner ring width(B)	8 mm
Min fillet radius rs	0,3 mm
Radial clearance class	CN
Mass	0,017 kg
Brand	NTN

PRODUCT PERFORMANCE

Dynamic load, C	4,45 kN
Static load, C0	1,59 kN
Fatigue limit load, Cu	0,122 kN
Coefficient f0	11.7
Nlim (grease)	31000 tr/min
Min operating temperature, Tmin	-40 °C
Max operating temperature, Tmax	150 °C

ABUTMENT

Min shoulder diameter IR da min	10 mm
Max shoulder diameter OR Da max	22 mm
Max shaft & housing fillet radius ra max	0,3 mm

INDUSTRY CALCUL FACTORS

Equivalent dynamic radial load

$$P = X.F_r + Y.F_a$$

$\frac{f_0 F_a}{C_0}$	e	Fa / Fr ≤ e		Fa / Fr > e	
		X	Y	X	Y
0.172	0.19	1	0	0.56	2.3
0.345	0.22				1.99
0.689	0.26				1.71
1.03	0.28				1.55
1.38	0.3				1.45
2.07	0.34				1.31
3.45	0.38				1.15
5.17	0.42				1.04
6.89	0.44				1

Equivalent static radial load

$$P_0 = X_0.F_r + Y_0.F_a$$

X_0	Y_0
0.6	0.5

For single or DT bearing arrangement:

If $P_0 < F_r$, then use $P_0 = F_r$