



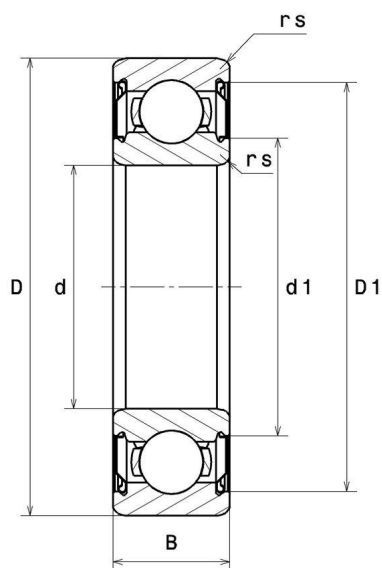
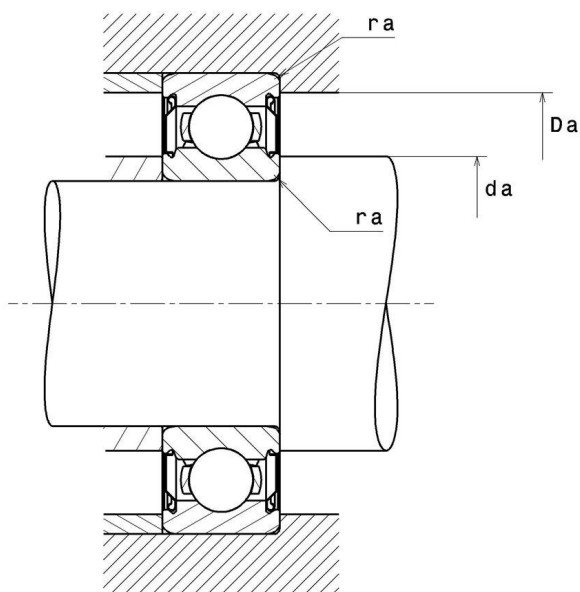
Technical data

6213ZZC3/5K

Single row deep groove ball bearings

Deep groove ball bearing, radial contact, pressed steel cage, shields on both sides

VISUAL (S)



6213ZZC3/5K

Single row deep groove ball bearings

PRODUCT DIMENSIONS

Internal diameter d	65 mm
External diameter D	120 mm
Bearing/Inner ring width(B)	23 mm
Min fillet radius rs	1,5 mm
Radial clearance class	C3
Mass	0,99 kg
Brand	NTN

PRODUCT PERFORMANCE

Dynamic load, C	63,5 kN
Static load, C0	40 kN
Fatigue limit load, Cu	3,15 kN
Coefficient f0	14.4
Nlim (grease)	5500 tr/min
Min operating temperature, Tmin	-40 °C
Max operating temperature, Tmax	150 °C
Characteristic cage frequency, FTF	0.41 Hz
Characteristic rolling element frequency, BSF	5.369 Hz
Characteristic outer ring frequency, BPF0	4.099 Hz
Characteristic inner ring frequency, BPF1	5.901 Hz

ABUTMENT

Min shoulder diameter IR da min	73 mm
Max shoulder diameter OR Da max	112 mm
Max shaft & housing fillet radius ra max	1,5 mm

6213ZZC3/5K

Single row deep groove ball bearings

INDUSTRY CALCUL FACTORS

Equivalent dynamic radial load

$$P = X.F_r + Y.F_a$$

$\frac{f_0 F_a}{C_0}$	e	Fa / Fr ≤ e		Fa / Fr > e	
		X	Y	X	Y
0.172	0.19	1	0	0.56	2.3
0.345	0.22				1.99
0.689	0.26				1.71
1.03	0.28				1.55
1.38	0.3				1.45
2.07	0.34				1.31
3.45	0.38				1.15
5.17	0.42				1.04
6.89	0.44				1

Equivalent static radial load

$$P_0 = X_0.F_r + Y_0.F_a$$

X_0	Y_0
0.6	0.5

For single or DT bearing arrangement:

If $P_0 < F_r$, then use $P_0 = F_r$