

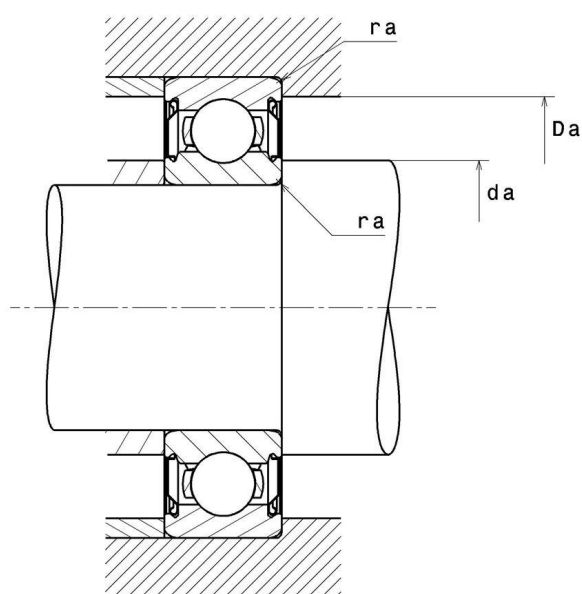
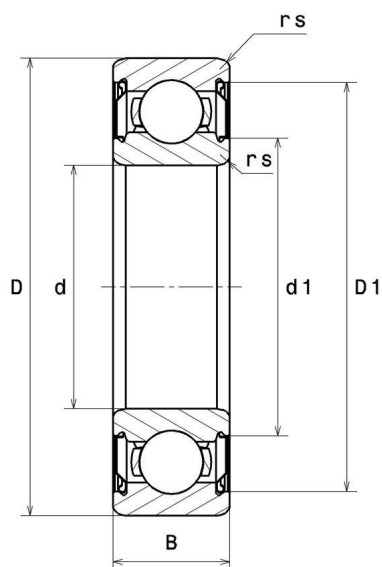
Technical data

6203ZZ/5K

Single row deep groove ball bearings

Deep groove ball bearing, radial contact, pressed steel cage, shields on both sides

VISUAL (S)



6203ZZ/5K

Single row deep groove ball bearings

PRODUCT DIMENSIONS

Internal diameter d	17 mm
External diameter D	40 mm
Bearing/Inner ring width(B)	12 mm
Min fillet radius rs	0,6 mm
Radial clearance class	CN
Mass	0,066 kg
Brand	NTN

PRODUCT PERFORMANCE

Dynamic load, C	10,6 kN
Static load, C0	4,6 kN
Fatigue limit load, Cu	0,355 kN
Coefficient f0	12.8
Nlim (grease)	18000 tr/min
Min operating temperature, Tmin	-40 °C
Max operating temperature, Tmax	150 °C
Characteristic cage frequency, FTF	0.376 Hz
Characteristic rolling element frequency, BSF	3.783 Hz
Characteristic outer ring frequency, BPF0	2.632 Hz
Characteristic inner ring frequency, BRF1	4.368 Hz

ABUTMENT

Min shoulder diameter IR da min	21 mm
Max shoulder diameter OR Da max	36 mm
Max shaft & housing fillet radius ra max	0,6 mm

INDUSTRY CALCUL FACTORS

Equivalent dynamic radial load

$$P = X.F_r + Y.F_a$$

$\frac{f_0 F_a}{C_0}$	e	Fa / Fr ≤ e		Fa / Fr > e	
		X	Y	X	Y
0.172	0.19	1	0	0.56	2.3
0.345	0.22				1.99
0.689	0.26				1.71
1.03	0.28				1.55
1.38	0.3				1.45
2.07	0.34				1.31
3.45	0.38				1.15
5.17	0.42				1.04
6.89	0.44				1

Equivalent static radial load

$$P_0 = X_0.F_r + Y_0.F_a$$

X_0	Y_0
0.6	0.5

For single or DT bearing arrangement:

If $P_0 < F_r$, then use $P_0 = F_r$