



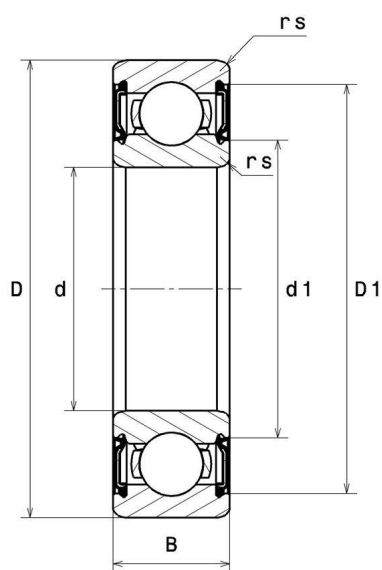
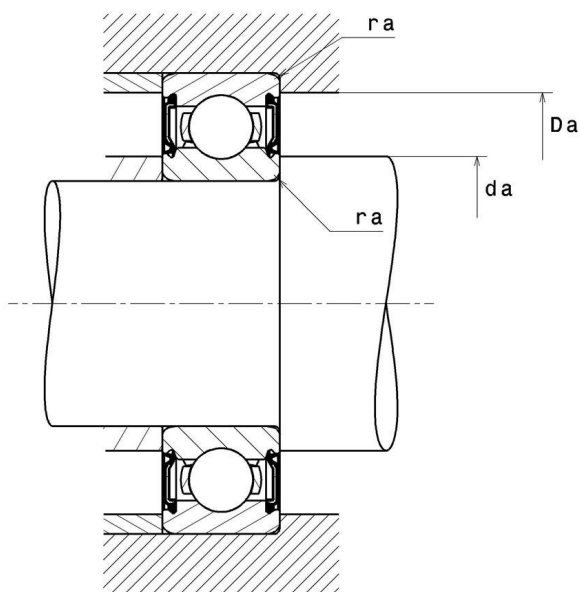
Technical data

6200LLUC3/5K

Single row deep groove ball bearings

Deep groove ball bearing, radial contact, pressed steel cage, contact seals on both sides

VISUAL (S)



6200LLUC3/5K

Single row deep groove ball bearings

PRODUCT DIMENSIONS

Internal diameter d	10 mm
External diameter D	30 mm
Bearing/Inner ring width(B)	9 mm
Min fillet radius rs	0,6 mm
Radial clearance class	C3
Mass	0,032 kg
Brand	NTN

PRODUCT PERFORMANCE

Dynamic load, C	5,65 kN
Static load, C0	2,39 kN
Fatigue limit load, Cu	0,182 kN
Coefficient f0	13.2
Nlim (grease)	18000 tr/min
Min operating temperature, Tmin	-25 °C
Max operating temperature, Tmax	110 °C
Characteristic cage frequency, FTF	0.384 Hz
Characteristic rolling element frequency, BSF	4.072 Hz
Characteristic outer ring frequency, BPF0	3.071 Hz
Characteristic inner ring frequency, BPF1	4.929 Hz

ABUTMENT

Min shoulder diameter IR da min	14 mm
Max shoulder diameter IR da max	16 mm
Max shoulder diameter OR Da max	26 mm
Max shaft & housing fillet radius ra max	0,6 mm

INDUSTRY CALCUL FACTORS

Equivalent dynamic radial load

$$P = X.F_r + Y.F_a$$

$\frac{f_0 F_a}{C_0}$	e	Fa / Fr ≤ e		Fa / Fr > e	
		X	Y	X	Y
0.172	0.19	1	0	0.56	2.3
0.345	0.22				1.99
0.689	0.26				1.71
1.03	0.28				1.55
1.38	0.3				1.45
2.07	0.34				1.31
3.45	0.38				1.15
5.17	0.42				1.04
6.89	0.44				1

Equivalent static radial load

$$P_0 = X_0.F_r + Y_0.F_a$$

X_0	Y_0
0.6	0.5

For single or DT bearing arrangement:

If $P_0 < F_r$, then use $P_0 = F_r$