



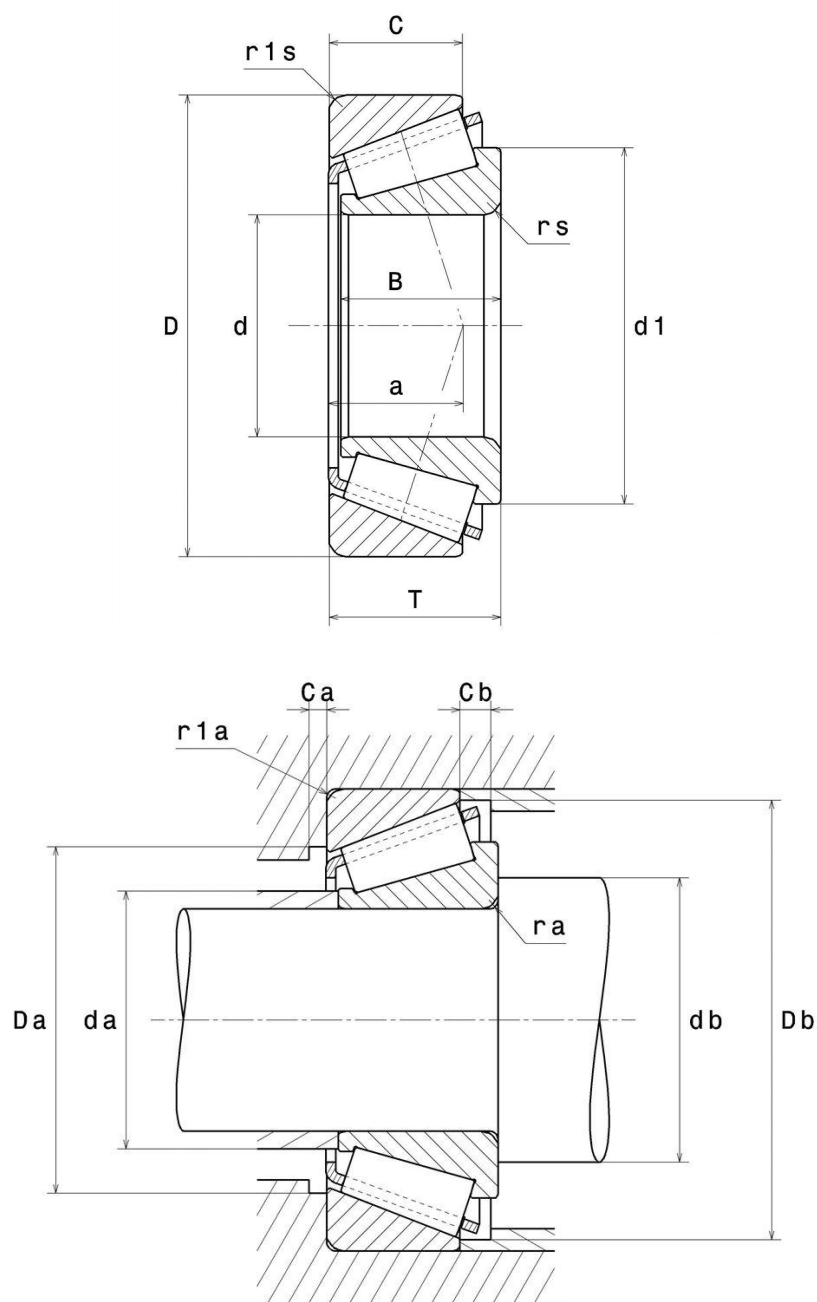
Technical data

4T-30310

Single row tapered roller bearings

Tapered roller bearing, pressed steel cage

VISUAL (S)



4T-30310

Single row tapered roller bearings

PRODUCT DEFINITION

Brand	NTN
d - Internal diameter	50 mm
D - External diameter	110 mm
B - Bearing/Inner ring width	27 mm
C - Outer ring width	23 mm
T - Total width	29,25 mm
d1 - External diameter inner ring	78,5 mm
a - Charge load application point	23 mm
rs - Min fillet radius	2,5 mm
r1s - Min fillet radius	2 mm
Mass	1,31 kg
ISO 355 reference	T2FB050

PRODUCT PERFORMANCE

C - Dynamic load	147 kN
C0 - Static load	152 kN
Cu - Fatigue limit load	18,5 kN
A2 - Rating life coefficient	1
e - Coefficient	0.35
Y0 - Static axial load coefficient	0.96
Y2 - Upper axial load coefficient	1.74
Nlim - Oil lubrication limit speed	4800 tr/min
Nlim - Grease lubrication limit speed	3600 tr/min
Tmin - Min operating temperature	-40 °C

4T-30310

Single row tapered roller bearings

PRODUCT PERFORMANCE

Tmax - Max operating temperature	120 °C
---	--------

ABUTMENT

da max - Max shoulder diameter IR	65 mm
db min - Min IR shoulder diameter	62 mm
Da min - Min shoulder diameter OR	95 mm
Da max - Max shoulder diameter OR	100 mm
Db min - Min OR shoulder diameter	102 mm
Ca - Min clearance	3 mm
Cb - Min clearance	6 mm
ra max - Max fillet radius	2 mm
r1a - Max fillet radius	2 mm

INDUSTRY CALCUL FACTORS

Equivalent dynamic radial load

$$P = X.F_r + Y.F_a$$

$F_a / F_r \leq e$		$F_a / F_r > e$	
X	Y	X	Y
1	0	0.4	Y2

Equivalent static radial load

$$P_0 = X_0.F_r + Y_0.F_a$$

X_0	Y_0
0.5	Y0

If $P_0 < F_r$, then use $P_0 = F_r$

The values for e, Y2 and Y0 are shown in the above table