



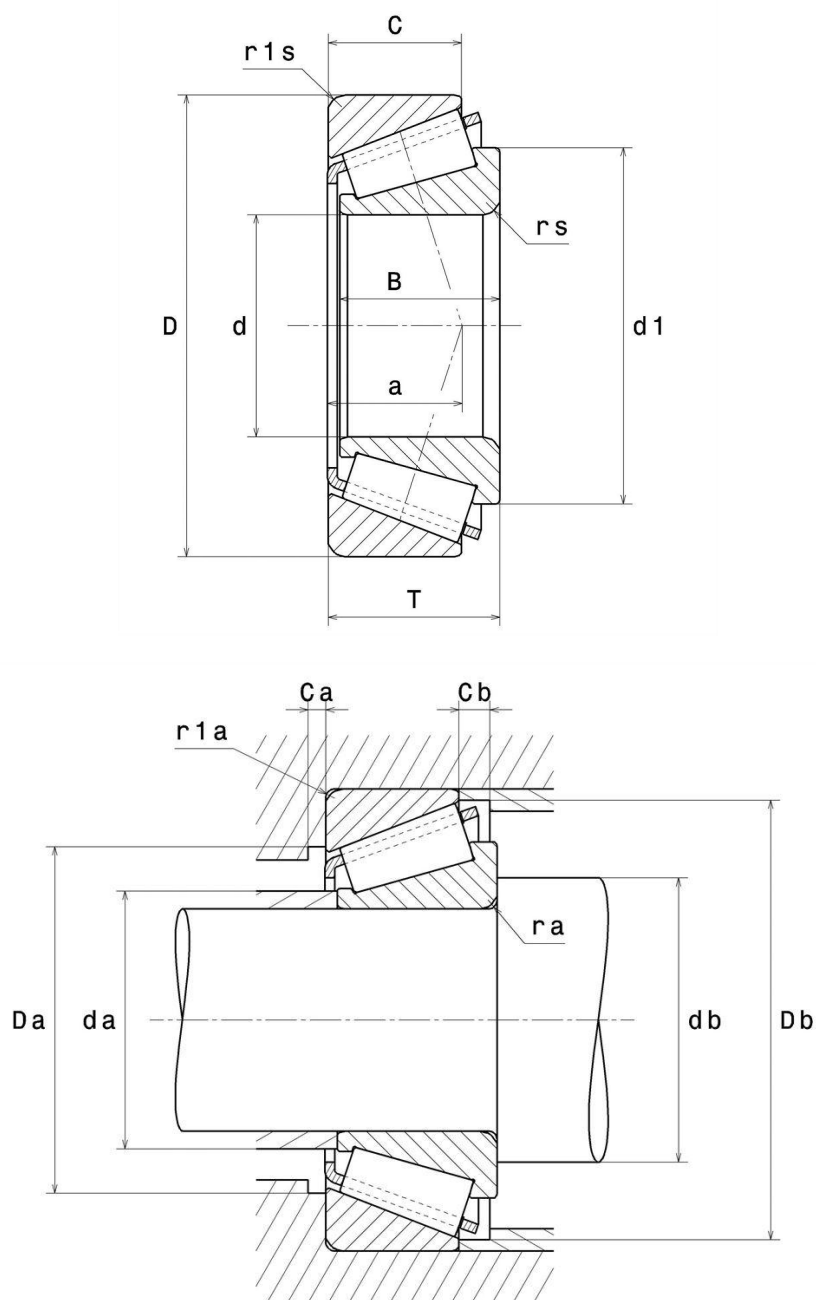
**Technical data**

**4T-30307**

Single row tapered roller bearings

Tapered roller bearing, pressed steel cage

**VISUAL (S)**



# 4T-30307

Single row tapered roller bearings

## PRODUCT DIMENSIONS

<b>Internal diameter (d)</b>	35 mm
<b>External diameter (D)</b>	80 mm
<b>Bearing/Inner ring width (B)</b>	21 mm
<b>Outer ring width (C)</b>	18 mm
<b>Total width (T)</b>	22,75 mm
<b>External diameter inner ring d1</b>	55,5 mm
<b>Charge load application point a</b>	17 mm
<b>Min fillet radius (rs)</b>	2 mm
<b>Min fillet radius r1s</b>	1,5 mm
<b>Coef (e)</b>	0.31
<b>Upper axial load coef (Y2)</b>	1.9
<b>Static axial load coef (Y0)</b>	1.05
<b>Mass</b>	0,535 kg
<b>ISO 355 reference</b>	T2FB035
<b>Brand</b>	NTN

## PRODUCT PERFORMANCE

<b>Dynamic load (C)</b>	83 kN
<b>Rating life coefficient, A2</b>	1.0
<b>Static load (C0)</b>	77 kN
<b>Fatigue limit load (Cu)</b>	9,4 kN
<b>Nlim (oil)</b>	6600 tr/min
<b>Nlim (grease)</b>	5000 tr/min
<b>Min operating temperature (Tmin)</b>	-40 °C

# 4T-30307

Single row tapered roller bearings

## PRODUCT PERFORMANCE

<b>Max operating temperature (Tmax)</b>	120 °C
<b>Characteristic cage frequency, FTF</b>	0.4 Hz
<b>Characteristic rolling element frequency, BSF</b>	4.708 Hz
<b>Characteristic outer ring frequency, BPF0</b>	5.603 Hz
<b>Characteristic inner ring frequency, BPFI</b>	8.397 Hz

## ABUTMENT

<b>Max shoulder diameter IR (da max)</b>	45 mm
<b>Min IR shoulder diameter (db min)</b>	45 mm
<b>Min shoulder diameter OR Da min</b>	70 mm
<b>Max shoulder diameter OR (Da max)</b>	71,5 mm
<b>Min OR shoulder diameter Db min</b>	74 mm
<b>Min clearance Ca</b>	3 mm
<b>Min clearance Cb</b>	4,5 mm
<b>Max fillet radius ra max</b>	2 mm
<b>Maxi fillet radius r1a</b>	1,5 mm

## INDUSTRY CALCUL FACTORS

**Equivalent dynamic radial load**

$$P = X.F_r + Y.F_a$$

$F_a / F_r \leq e$		$F_a / F_r > e$	
X	Y	X	Y
1	0	0.4	Y <sub>2</sub>

**Equivalent static radial load**

$$P_0 = X_0.F_r + Y_0.F_a$$

$X_0$	$Y_0$
0.5	Y <sub>0</sub>

If  $P_0 < F_r$ , then use  $P_0 = F_r$

The values for e, Y<sub>2</sub> and Y<sub>0</sub> are shown in the above table