



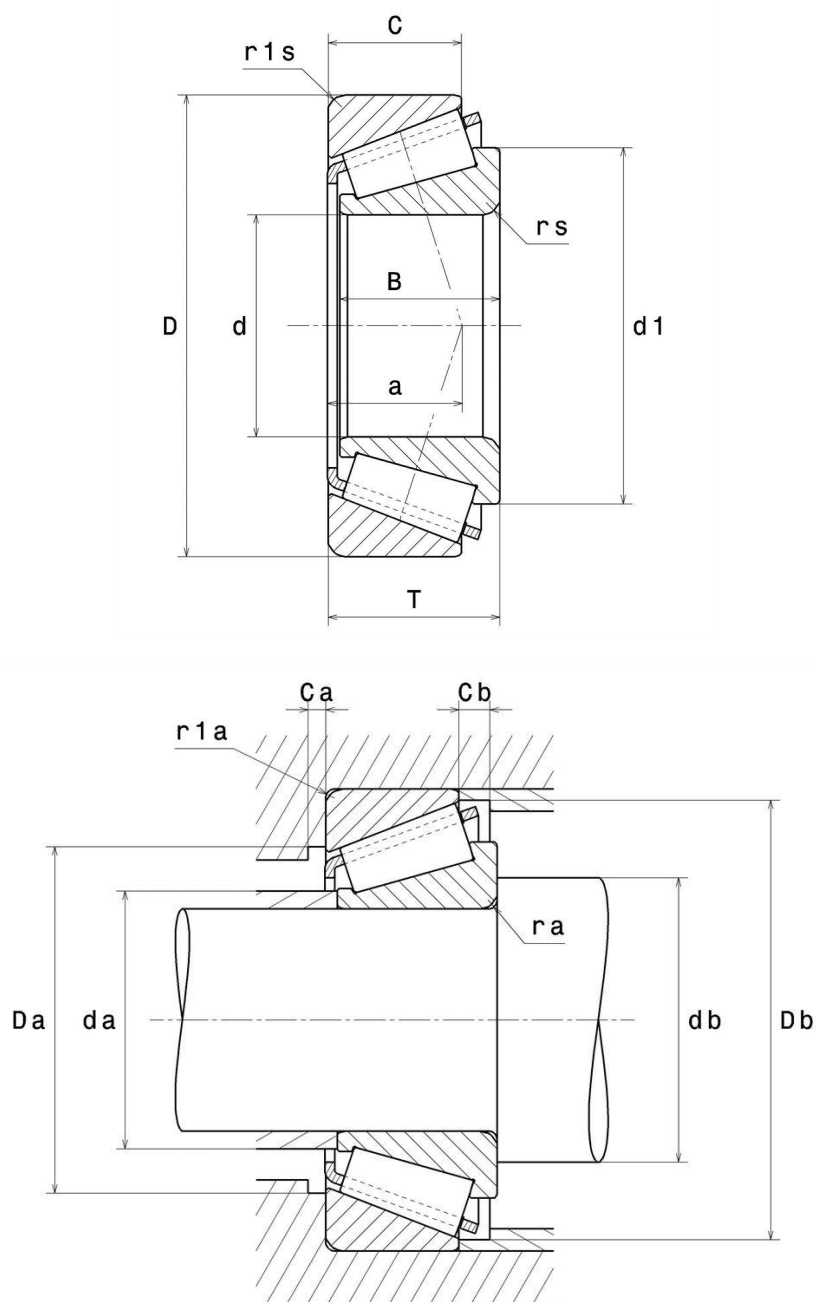
**Technical data**

**4T-30215**

Single row tapered roller bearings

Tapered roller bearing, pressed steel cage

**VISUAL (S)**



# 4T-30215

Single row tapered roller bearings

## PRODUCT DEFINITION

<b>Brand</b>	NTN
<b>d - Internal diameter</b>	75 mm
<b>D - External diameter</b>	130 mm
<b>B - Bearing/Inner ring width</b>	25 mm
<b>C - Outer ring width</b>	22 mm
<b>T - Total width</b>	27,25 mm
<b>d1 - External diameter inner ring</b>	100 mm
<b>a - Charge load application point</b>	27 mm
<b>rs - Min fillet radius</b>	2 mm
<b>r1s - Min fillet radius</b>	1,5 mm
<b>Mass</b>	1,4 kg
<b>ISO 355 reference</b>	T4DB075

## PRODUCT PERFORMANCE

<b>C - Dynamic load</b>	154 kN
<b>C0 - Static load</b>	175 kN
<b>Cu - Fatigue limit load</b>	21,2 kN
<b>A2 - Rating life coefficient</b>	1
<b>e - Coefficient</b>	0.44
<b>Y0 - Static axial load coefficient</b>	0.76
<b>Y2 - Upper axial load coefficient</b>	1.38
<b>Nlim - Oil lubrication limit speed</b>	3600 tr/min
<b>Nlim - Grease lubrication limit speed</b>	2700 tr/min
<b>Tmin - Min operating temperature</b>	-40 °C

# 4T-30215

Single row tapered roller bearings

## PRODUCT PERFORMANCE

<b>Tmax - Max operating temperature</b>	120 °C
---	--------

## ABUTMENT

<b>da max - Max shoulder diameter IR</b>	85 mm
<b>db min - Min IR shoulder diameter</b>	85 mm
<b>Da min - Min shoulder diameter OR</b>	115 mm
<b>Da max - Max shoulder diameter OR</b>	121,5 mm
<b>Db min - Min OR shoulder diameter</b>	124 mm
<b>Ca - Min clearance</b>	4 mm
<b>Cb - Min clearance</b>	5 mm
<b>ra max - Max fillet radius</b>	2 mm
<b>r1a - Max fillet radius</b>	1,5 mm

## INDUSTRY CALCUL FACTORS

**Equivalent dynamic radial load**

$$P = X.F_r + Y.F_a$$

$F_a / F_r \leq e$		$F_a / F_r > e$	
X	Y	X	Y
1	0	0.4	Y <sub>2</sub>

**Equivalent static radial load**

$$P_0 = X_0.F_r + Y_0.F_a$$

$X_0$	$Y_0$
0.5	Y <sub>0</sub>

If  $P_0 < F_r$ , then use  $P_0 = F_r$

The values for e, Y<sub>2</sub> and Y<sub>0</sub> are shown in the above table