



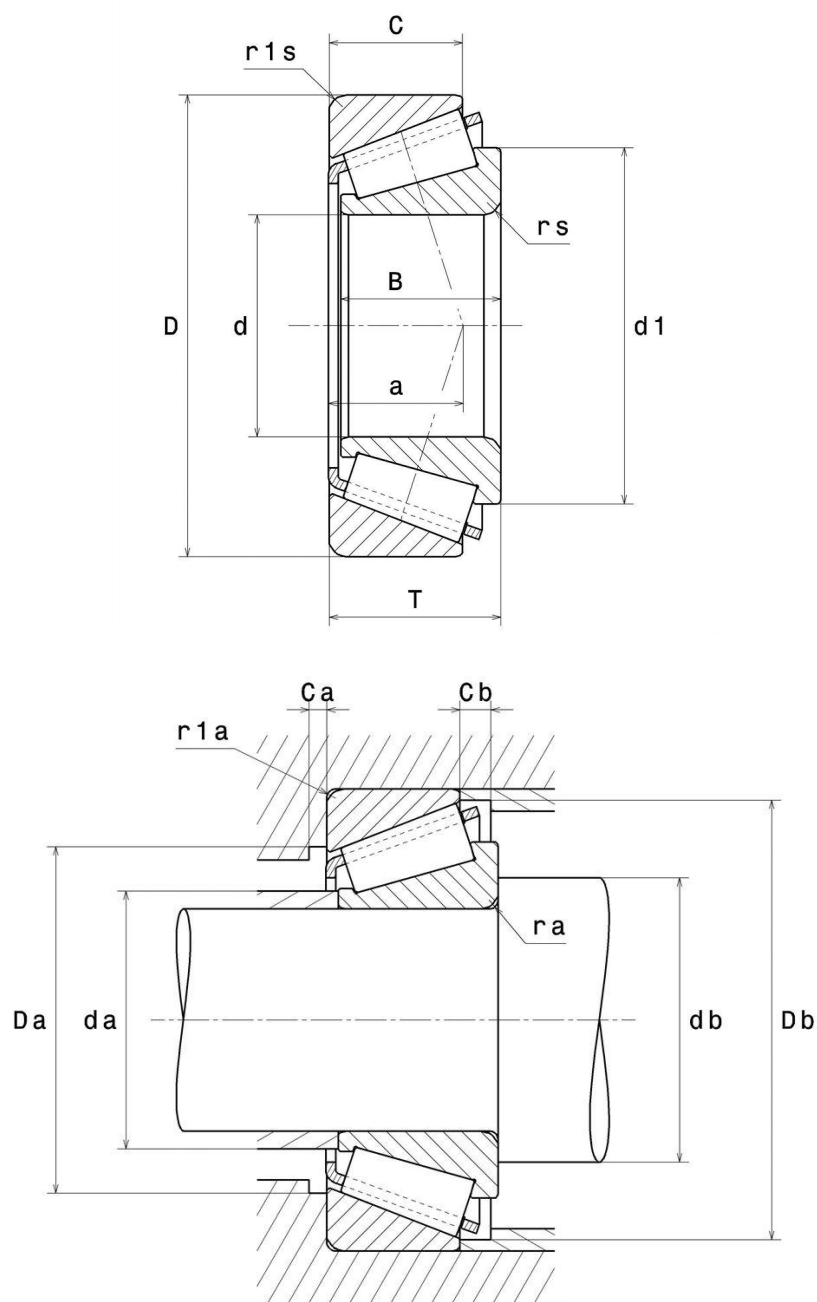
Technical data

4T-30213

Single row tapered roller bearings

Tapered roller bearing, pressed steel cage

VISUAL (S)



4T-30213

Single row tapered roller bearings

PRODUCT DEFINITION

Brand	NTN
d - Internal diameter	65 mm
D - External diameter	120 mm
B - Bearing/Inner ring width	23 mm
C - Outer ring width	20 mm
T - Total width	24,75 mm
d1 - External diameter inner ring	90,5 mm
a - Charge load application point	23,5 mm
rs - Min fillet radius	2 mm
r1s - Min fillet radius	1,5 mm
Mass	1,18 kg
ISO 355 reference	T3EB065

PRODUCT PERFORMANCE

C - Dynamic load	136 kN
C0 - Static load	148 kN
Cu - Fatigue limit load	18 kN
A2 - Rating life coefficient	1
e - Coefficient	0.4
Y0 - Static axial load coefficient	0.81
Y2 - Upper axial load coefficient	1.48
Nlim - Oil lubrication limit speed	4200 tr/min
Nlim - Grease lubrication limit speed	3100 tr/min
Tmin - Min operating temperature	-40 °C

4T-30213

Single row tapered roller bearings

PRODUCT PERFORMANCE

Tmax - Max operating temperature	120 °C
---	--------

ABUTMENT

da max - Max shoulder diameter IR	77 mm
db min - Min IR shoulder diameter	75 mm
Da min - Min shoulder diameter OR	106 mm
Da max - Max shoulder diameter OR	111,5 mm
Db min - Min OR shoulder diameter	113 mm
Ca - Min clearance	4 mm
Cb - Min clearance	4,5 mm
ra max - Max fillet radius	2 mm
r1a - Max fillet radius	1,5 mm

INDUSTRY CALCUL FACTORS

Equivalent dynamic radial load

$$P = X.F_r + Y.F_a$$

$F_a / F_r \leq e$		$F_a / F_r > e$	
X	Y	X	Y
1	0	0.4	Y ₂

Equivalent static radial load

$$P_0 = X_0.F_r + Y_0.F_a$$

X_0	Y_0
0.5	Y ₀

If $P_0 < F_r$, then use $P_0 = F_r$

The values for e, Y₂ and Y₀ are shown in the above table