



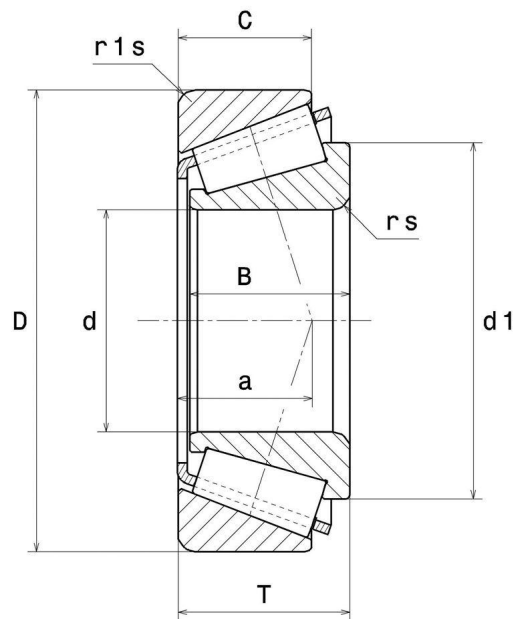
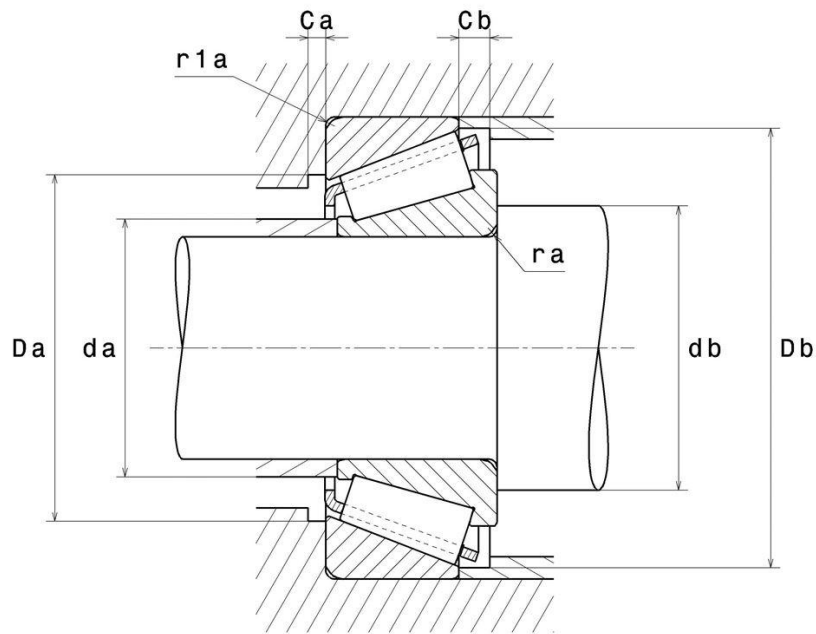
Technical data

32311U

Single row tapered roller bearings

Tapered roller bearing, pressed steel cage

VISUAL (S)



32311U

Single row tapered roller bearings

PRODUCT DIMENSIONS

Internal diameter (d)	55 mm
External diameter (D)	120 mm
Bearing/Inner ring width (B)	43 mm
Outer ring width (C)	35 mm
Total width (T)	45,5 mm
External diameter inner ring d1	85,5 mm
Charge load application point a	30,5 mm
Min fillet radius (rs)	2,5 mm
Min fillet radius r1s	2 mm
Coef (e)	0.35
Upper axial load coef (Y2)	1.74
Static axial load coef (Y0)	0.96
Mass	2,44 kg
ISO 355 reference	T2FD055
Brand	NTN

PRODUCT PERFORMANCE

Dynamic load (C)	238 kN
Rating life coefficient, A2	1.0
Static load (C0)	275 kN
Fatigue limit load (Cu)	33,5 kN
Nlim (oil)	4400 tr/min
Nlim (grease)	3300 tr/min
Min operating temperature (Tmin)	-40 °C

32311U

Single row tapered roller bearings

PRODUCT PERFORMANCE

Max operating temperature (Tmax)	120 °C
Characteristic cage frequency, FTF	0.411 Hz
Characteristic rolling element frequency, BSF	5.275 Hz
Characteristic outer ring frequency, BPF0	6.569 Hz
Characteristic inner ring frequency, BPFI	9.431 Hz

ABUTMENT

Max shoulder diameter IR (da max)	68 mm
Min IR shoulder diameter (db min)	67 mm
Min shoulder diameter OR Da min	99 mm
Max shoulder diameter OR (Da max)	110 mm
Min OR shoulder diameter Db min	111 mm
Min clearance Ca	4 mm
Min clearance Cb	10,5 mm
Max fillet radius ra max	2 mm
Maxi fillet radius r1a	2 mm

INDUSTRY CALCUL FACTORS

Equivalent dynamic radial load

$$P = X.F_r + Y.F_a$$

$F_a / F_r \leq e$		$F_a / F_r > e$	
X	Y	X	Y
1	0	0.4	Y ₂

Equivalent static radial load

$$P_0 = X_0.F_r + Y_0.F_a$$

X_0	Y_0
0.5	Y ₀

If $P_0 < F_r$, then use $P_0 = F_r$

The values for e, Y₂ and Y₀ are shown in the above table