



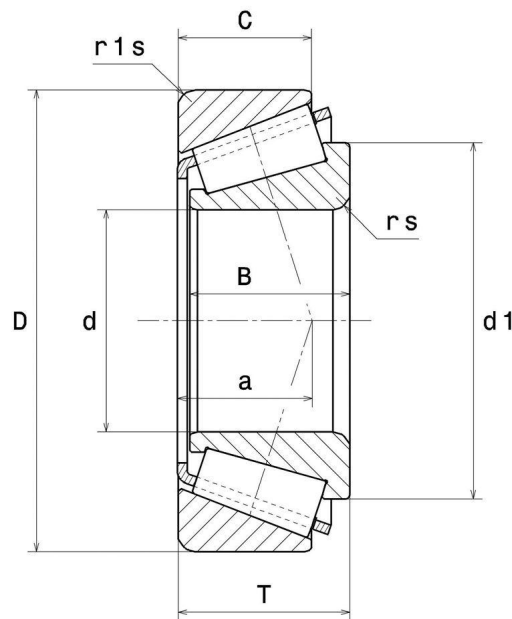
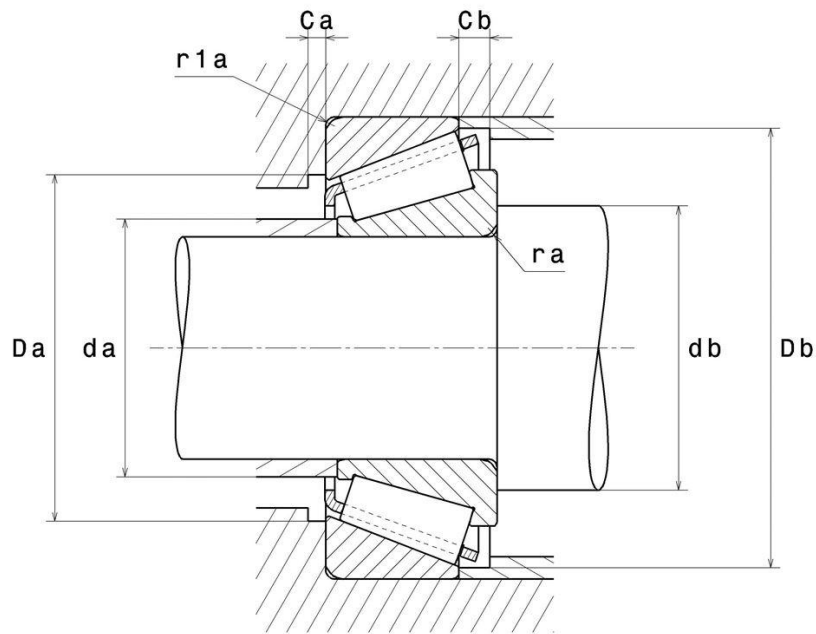
**Technical data**

**32030XU**

Single row tapered roller bearings

Tapered roller bearing, pressed steel cage

**VISUAL (S)**



# 32030XU

Single row tapered roller bearings

## PRODUCT DIMENSIONS

Internal diameter d	150 mm
External diameter D	225 mm
Bearing/Inner ring width(B)	48 mm
Outer ring width (C )	36 mm
Total width (T)	48 mm
External diameter inner ring d1	189 mm
Charge load application point a	49,5 mm
Min fillet radius rs	3 mm
Min fillet radius r1s	2,5 mm
Coef e	0.46
Upper axial load coef (Y2)	1.31
Static axial load coef (Y0)	0.72
Mass	6,45 kg
ISO 355 reference	T4EC150
Brand	NTN

## PRODUCT PERFORMANCE

Dynamic load, C	410 kN
Rating life coefficient, A2	1.0
Static load, C0	655 kN
Fatigue limit load, Cu	66 kN
Nlim (oil)	1900 tr/min
Nlim (grease)	1400 tr/min
Min operating temperature, Tmin	-40 °C
Max operating temperature, Tmax	120 °C
Characteristic cage frequency, FTF	0.455 Hz
Characteristic rolling element frequency, BSF	10.464 Hz
Characteristic outer ring frequency, BPF0	13.64 Hz
Characteristic inner ring frequency, BPF1	16.36 Hz

## ABUTMENT

Max shoulder diameter IR da max	164 mm
Min IR shoulder diameter (db min)	164 mm

# 32030XU

Single row tapered roller bearings

## ABUTMENT

Min shoulder diameter OR Da min	200 mm
Max shoulder diameter OR Da max	213 mm
Min OR shoulder diameter Db min	216 mm
Min clearance Ca	8 mm
Min clearance Cb	12 mm
Max fillet radius ra max	2,5 mm
Maxi fillet radius r1a	2 mm

## INDUSTRY CALCUL FACTORS

### Equivalent dynamic radial load

$$P = X.Fr + Y.Fa$$

Fa / Fr ≤ e		Fa / Fr > e	
X	Y	X	Y
1	0	0.4	Y2

### Equivalent static radial load

$$Po = Xo.Fr + Yo.Fa$$

Xo	Yo
0.5	Yo

If  $Po < Fr$ , then use  $Po = Fr$

The values for e, Y2 and Yo are shown in the above table