



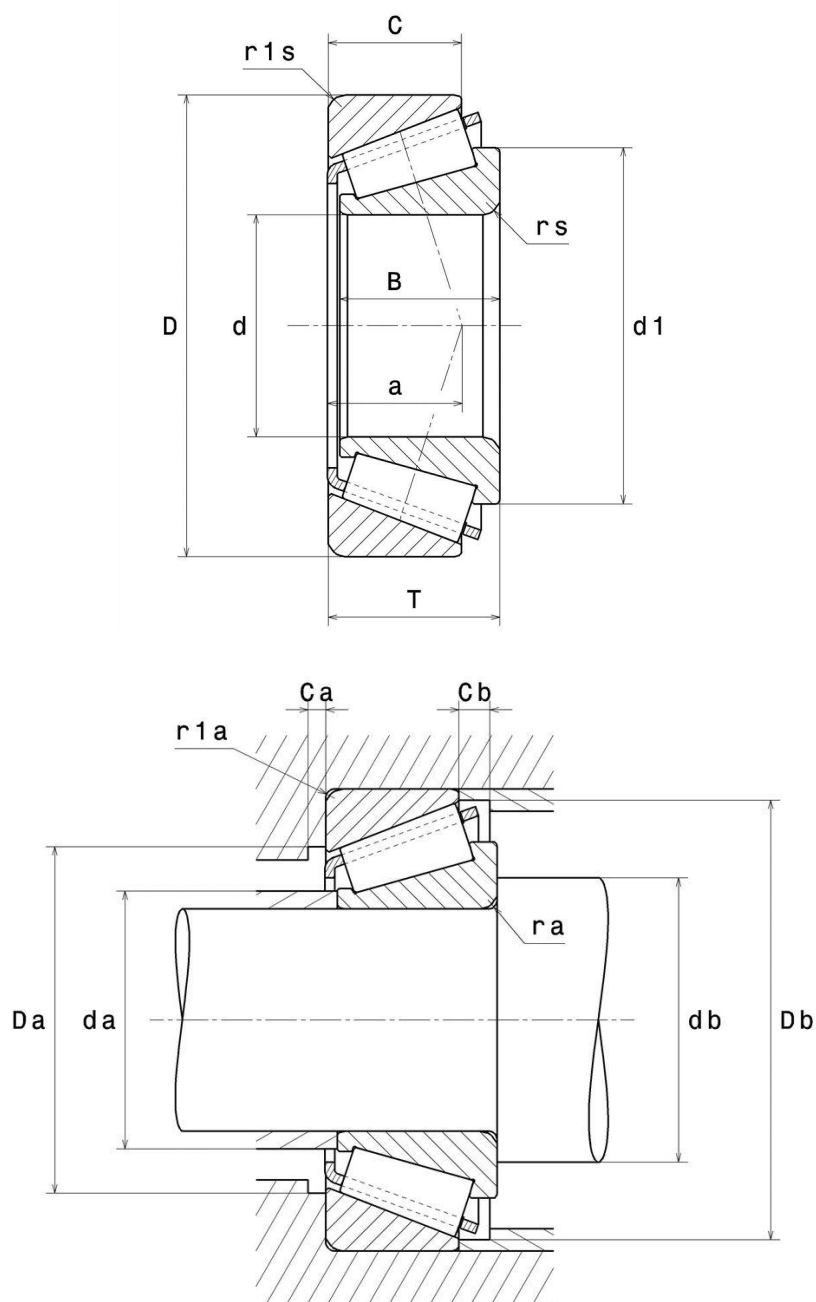
Technical data

32021XU

Single row tapered roller bearings

Tapered roller bearing, pressed steel cage

VISUAL (S)



32021XU

Single row tapered roller bearings

PRODUCT DIMENSIONS

Internal diameter d	105 mm
External diameter D	160 mm
Bearing/Inner ring width(B)	35 mm
Outer ring width (C)	26 mm
Total width (T)	35 mm
External diameter inner ring d1	133,5 mm
Charge load application point a	34,5 mm
Min fillet radius rs	2,5 mm
Min fillet radius r1s	2 mm
Coef e	0.44
Upper axial load coef (Y2)	1.35
Static axial load coef (Y0)	0.74
Mass	2,44 kg
ISO 355 reference	T4DC105
Brand	NTN

PRODUCT PERFORMANCE

Dynamic load, C	223 kN
Rating life coefficient, A2	1.0
Static load, C0	335 kN
Fatigue limit load, Cu	37,5 kN
Nlim (oil)	2800 tr/min
Nlim (grease)	2100 tr/min
Min operating temperature, Tmin	-40 °C
Max operating temperature, Tmax	120 °C
Characteristic cage frequency, FTF	0.453 Hz
Characteristic rolling element frequency, BSF	10.129 Hz
Characteristic outer ring frequency, BPF0	12.686 Hz
Characteristic inner ring frequency, BPF1	15.314 Hz

ABUTMENT

Max shoulder diameter IR da max	116 mm
Min IR shoulder diameter (db min)	117 mm

32021XU

Single row tapered roller bearings

ABUTMENT

Min shoulder diameter OR Da min	143 mm
Max shoulder diameter OR Da max	150 mm
Min OR shoulder diameter Db min	154 mm
Min clearance Ca	6 mm
Min clearance Cb	9 mm
Max fillet radius ra max	2 mm
Maxi fillet radius r1a	2 mm

INDUSTRY CALCUL FACTORS

Equivalent dynamic radial load

$$P = X.Fr + Y.Fa$$

Fa / Fr ≤ e		Fa / Fr > e	
X	Y	X	Y
1	0	0.4	Y2

Equivalent static radial load

$$Po = Xo.Fr + Yo.Fa$$

Xo	Yo
0.5	Yo

If $Po < Fr$, then use $Po = Fr$

The values for e, Y2 and Yo are shown in the above table