



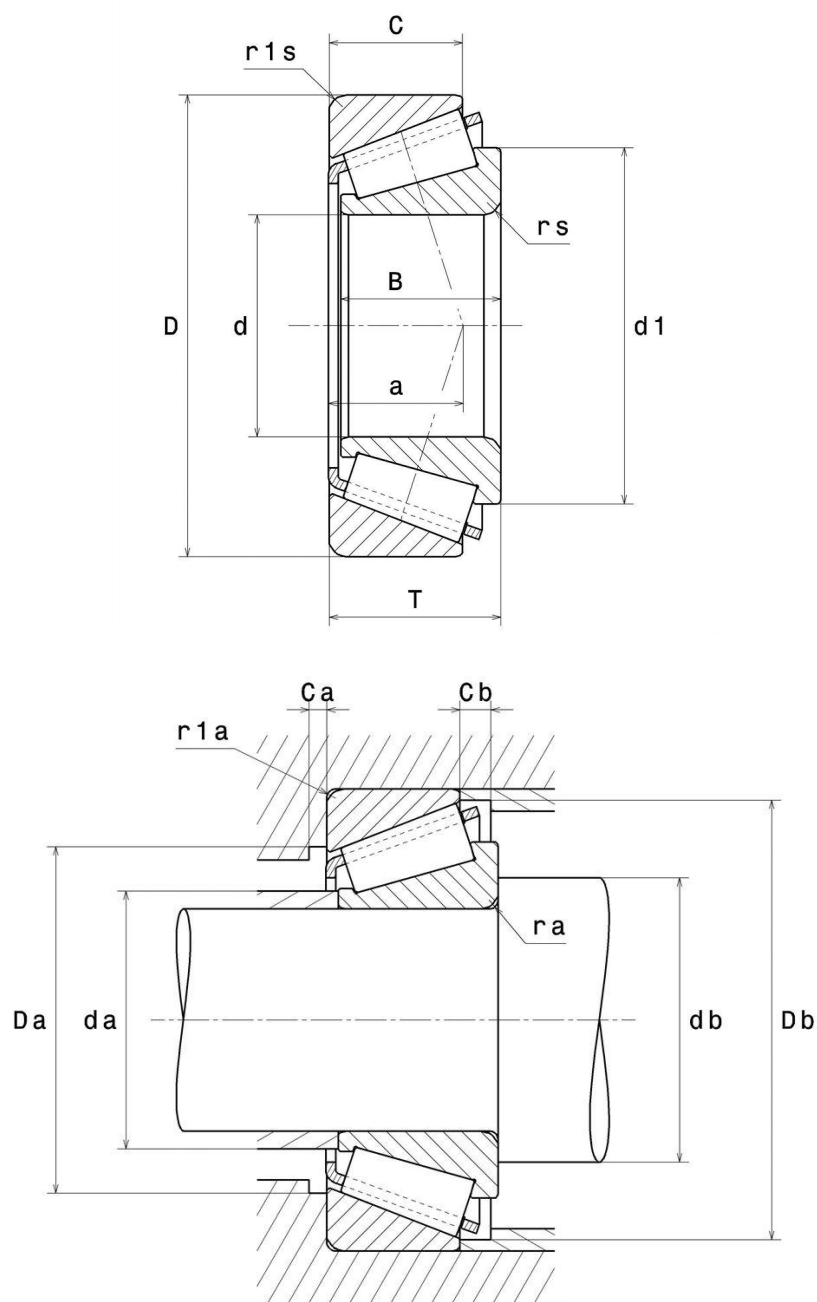
Technical data

30316U

Single row tapered roller bearings

Tapered roller bearing, pressed steel cage

VISUAL (S)



30316U

Single row tapered roller bearings

PRODUCT DIMENSIONS

Internal diameter d	80 mm
External diameter D	170 mm
Bearing/Inner ring width(B)	39 mm
Outer ring width (C)	33 mm
Total width (T)	42,5 mm
External diameter inner ring d1	122,5 mm
Charge load application point a	34 mm
Min fillet radius rs	3 mm
Min fillet radius r1s	2,5 mm
Coef e	0.35
Upper axial load coef (Y2)	1.74
Static axial load coef (Y0)	0.96
Mass	4,41 kg
ISO 355 reference	T2GB080
Brand	NTN

PRODUCT PERFORMANCE

Dynamic load, C	325 kN
Rating life coefficient, A2	1.0
Static load, C0	350 kN
Fatigue limit load, Cu	39,5 kN
Nlim (oil)	3000 tr/min
Nlim (grease)	2300 tr/min
Min operating temperature, Tmin	-40 °C
Max operating temperature, Tmax	120 °C
Characteristic cage frequency, FTF	0.411 Hz
Characteristic rolling element frequency, BSF	5.271 Hz
Characteristic outer ring frequency, BPF0	6.568 Hz
Characteristic inner ring frequency, BPF1	9.432 Hz

ABUTMENT

Max shoulder diameter IR da max	102 mm
Min IR shoulder diameter (db min)	94 mm

30316U

Single row tapered roller bearings

ABUTMENT

Min shoulder diameter OR Da min	148 mm
Max shoulder diameter OR Da max	158 mm
Min OR shoulder diameter Db min	159 mm
Min clearance Ca	4 mm
Min clearance Cb	9,5 mm
Max fillet radius ra max	2,5 mm
Maxi fillet radius r1a	2 mm

INDUSTRY CALCUL FACTORS

Equivalent dynamic radial load

$$P = X.Fr + Y.Fa$$

Fa / Fr ≤ e		Fa / Fr > e	
X	Y	X	Y
1	0	0.4	Y2

Equivalent static radial load

$$Po = Xo.Fr + Yo.Fa$$

Xo	Yo
0.5	Yo

If $Po < Fr$, then use $Po = Fr$

The values for e, Y2 and Yo are shown in the above table