



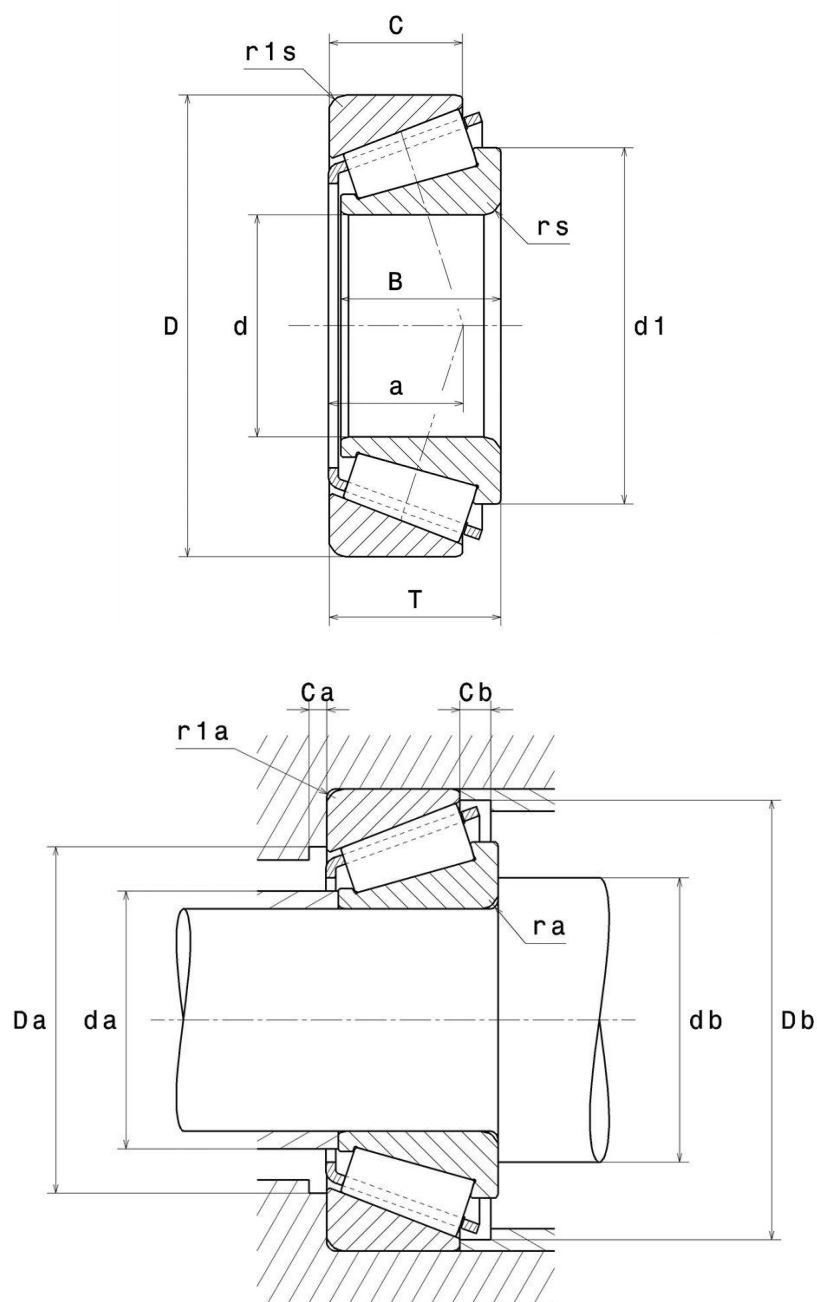
Technical data

30224U

Single row tapered roller bearings

Tapered roller bearing, pressed steel cage

VISUAL (S)



30224U

Single row tapered roller bearings

PRODUCT DEFINITION

Brand	NTN
d - Internal diameter	120 mm
D - External diameter	215 mm
B - Bearing/Inner ring width	40 mm
C - Outer ring width	34 mm
T - Total width	43,5 mm
a - Charge load application point	44 mm
rs - Min fillet radius	2,5 mm
r1s - Min fillet radius	2 mm
Mass	6,32 kg
ISO 355 reference	T4FB120

PRODUCT PERFORMANCE

C - Dynamic load	385 kN
C0 - Static load	470 kN
Cu - Fatigue limit load	49 kN
A2 - Rating life coefficient	1
e - Coefficient	0.44
Y0 - Static axial load coefficient	0.76
Y2 - Upper axial load coefficient	1.38
Nlim - Oil lubrication limit speed	2200 tr/min
Nlim - Grease lubrication limit speed	1700 tr/min
Tmin - Min operating temperature	-40 °C
Tmax - Max operating temperature	120 °C

ABUTMENT

da max - Max shoulder diameter IR	134 mm
db min - Min IR shoulder diameter	140 mm
Da max - Max shoulder diameter OR	203 mm
Db min - Min OR shoulder diameter	203 mm
ra max - Max fillet radius	2,5 mm
r1a - Max fillet radius	2 mm

INDUSTRY CALCUL FACTORS

Equivalent dynamic radial load

$$P = X.Fr + Y.Fa$$

Fa / Fr ≤ e		Fa / Fr > e	
X	Y	X	Y
1	0	0.4	Y2

Equivalent static radial load

$$P_0 = X_0.Fr + Y_0.Fa$$

X ₀	Y ₀
0.5	Y0

If $P_0 < Fr$, then use $P_0 = Fr$

The values for e, Y2 and Y0 are shown in the above table