



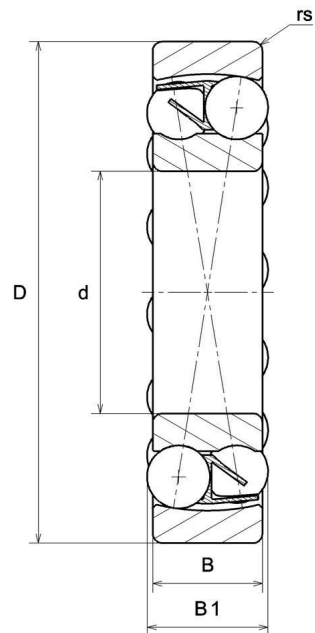
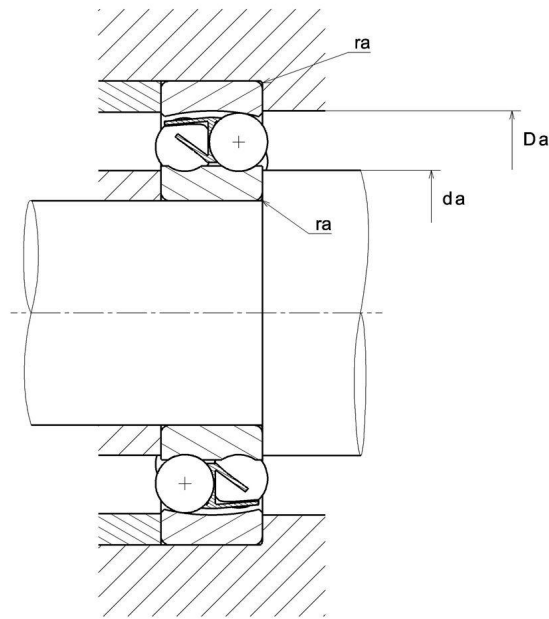
**Technical data**

**2316S**

Double-row self-aligning ball bearings

Self-aligning ball bearing with ball protrusion, pressed steel cage, open

**VISUAL (S)**



# 2316S

## Double-row self-aligning ball bearings

### PRODUCT DIMENSIONS

<b>Internal diameter (d)</b>	80 mm
<b>External diameter (D)</b>	170 mm
<b>Bearing/Inner ring width (B)</b>	58 mm
<b>B1</b>	59 mm
<b>Min fillet radius (rs)</b>	2,1 mm
<b>Coef (e)</b>	0.39
<b>Lower axial load coef (Y1)</b>	1.6
<b>Upper axial load coef (Y2)</b>	2.5
<b>Static axial load coef (Y0)</b>	1.7
<b>Radial clearance class</b>	CN
<b>Precision class</b>	P0
<b>Mass</b>	5,63 kg
<b>Brand</b>	NTN

### PRODUCT PERFORMANCE

<b>Dynamic load (C)</b>	130 kN
<b>Static load (C0)</b>	45 kN
<b>Fatigue limit load (Cu)</b>	1,9 kN
<b>Nlim (oil)</b>	4000 tr/min
<b>Nlim (grease)</b>	3200 tr/min
<b>Min operating temperature (Tmin)</b>	-20 °C
<b>Max operating temperature (Tmax)</b>	120 °C

### ABUTMENT

<b>Min shoulder diameter IR (da min)</b>	91 mm
--	-------

# 2316S

Double-row self-aligning ball bearings

## ABUTMENT

<b>Max shoulder diameter OR (Da max)</b>	159 mm
<b>Max shaft &amp; housing fillet radius (ra max)</b>	2 mm