



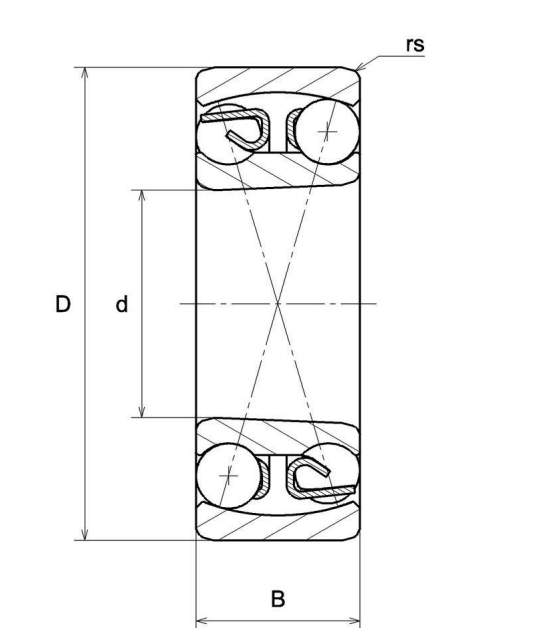
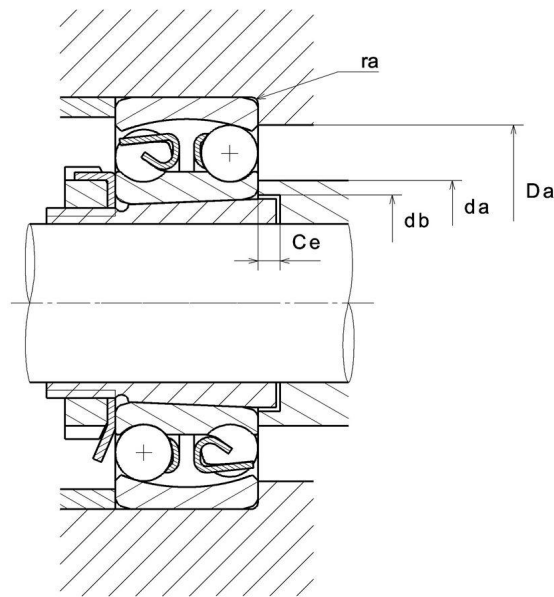
Technical data

2311SKC3

Double-row self-aligning ball bearings

Self-aligning ball bearing, pressed steel cage, tapered bore, open

VISUAL (S)



2311SKC3

Double-row self-aligning ball bearings

PRODUCT DIMENSIONS

Internal diameter (d)	55 mm
External diameter (D)	120 mm
Bearing/Inner ring width (B)	43 mm
Min fillet radius (rs)	2 mm
Associated sleeve reference	H2311X
Coef (e)	0.41
Lower axial load coef (Y1)	1.5
Upper axial load coef (Y2)	2.4
Static axial load coef (Y0)	1.6
Radial clearance class	C3
Precision class	P0
Mass	2,08 kg
Brand	NTN

PRODUCT PERFORMANCE

Dynamic load (C)	76,5 kN
Static load (C0)	24 kN
Fatigue limit load (Cu)	1 kN
Nlim (oil)	6000 tr/min
Nlim (grease)	4800 tr/min
Min operating temperature (Tmin)	-20 °C
Max operating temperature (Tmax)	120 °C

ABUTMENT

Min shoulder diameter IR (da min)	64 mm
--	-------

2311SKC3

Double-row self-aligning ball bearings

ABUTMENT	
Max shoulder diameter IR (da max)	71 mm
Min diameter for Sleeve (db)	61 mm
Min length fro Sleeve (Ce)	6 mm
Max shoulder diameter OR (Da max)	111 mm
Max shaft & housing fillet radius (ra max)	2 mm