



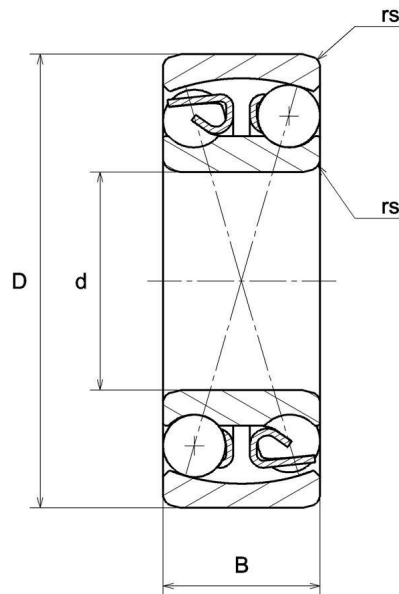
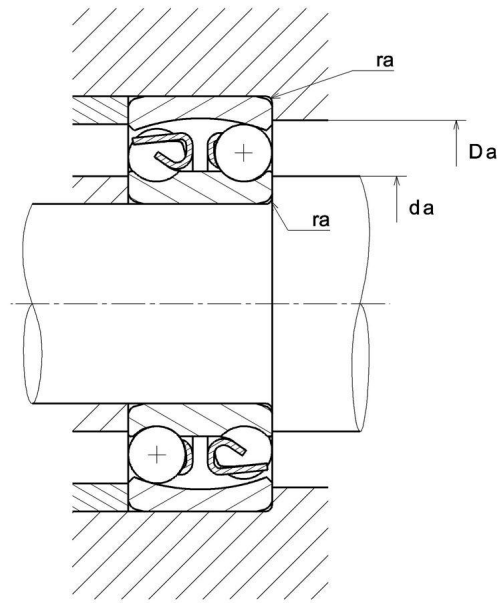
Technical data

2217S

Double-row self-aligning ball bearings

Self-aligning ball bearing, pressed steel cage, open

VISUAL (S)



2217S

Double-row self-aligning ball bearings

PRODUCT DIMENSIONS

Internal diameter d	85 mm
External diameter D	150 mm
Bearing/Inner ring width(B)	36 mm
Min fillet radius rs	2 mm
Coef e	0.25
Lower axial load coef (Y1)	2.5
Upper axial load coef (Y2)	3.9
Static axial load coef (Y0)	2.6
Radial clearance class	CN
Precision class	P0
Mass	2,56 kg
Brand	NTN

PRODUCT PERFORMANCE

Dynamic load, C	58,5 kN
Static load, C0	23,6 kN
Fatigue limit load, Cu	1,5 kN
Nlim (oil)	4800 tr/min
Nlim (grease)	3800 tr/min
Min operating temperature, Tmin	-20 °C
Max operating temperature, Tmax	120 °C

ABUTMENT

Min shoulder diameter IR da min	94 mm
Max shoulder diameter OR Da max	141 mm
Max shaft & housing fillet radius ra max	2 mm