



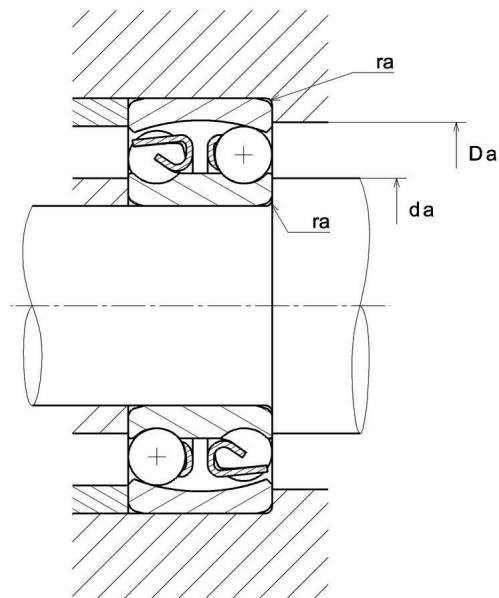
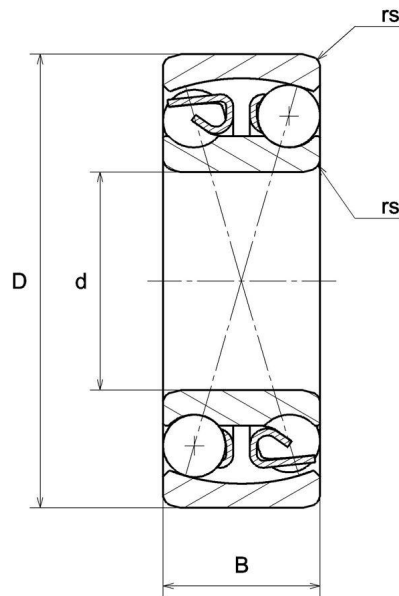
## Technical data

### 1310S

Double-row self-aligning ball bearings

Self-aligning ball bearing, pressed steel cage, open

#### VISUAL (S)



# 1310S

## Double-row self-aligning ball bearings

### PRODUCT DIMENSIONS

<b>Internal diameter (d)</b>	50 mm
<b>External diameter (D)</b>	110 mm
<b>Bearing/Inner ring width (B)</b>	27 mm
<b>Min fillet radius (rs)</b>	2 mm
<b>Coef (e)</b>	0.23
<b>Lower axial load coef (Y1)</b>	2.7
<b>Upper axial load coef (Y2)</b>	4.2
<b>Static axial load coef (Y0)</b>	2.8
<b>Radial clearance class</b>	CN
<b>Precision class</b>	P0
<b>Mass</b>	1,23 kg
<b>Brand</b>	NTN

### PRODUCT PERFORMANCE

<b>Dynamic load (C)</b>	43,5 kN
<b>Static load (C0)</b>	14,1 kN
<b>Fatigue limit load (Cu)</b>	0,35 kN
<b>Nlim (oil)</b>	6700 tr/min
<b>Nlim (grease)</b>	5600 tr/min
<b>Min operating temperature (Tmin)</b>	-20 °C
<b>Max operating temperature (Tmax)</b>	120 °C

### ABUTMENT

<b>Min shoulder diameter IR (da min)</b>	59 mm
<b>Max shoulder diameter OR (Da max)</b>	101 mm

# 1310S

Double-row self-aligning ball bearings

## ABUTMENT

**Max shaft & housing fillet radius (ra max)**

2 mm