



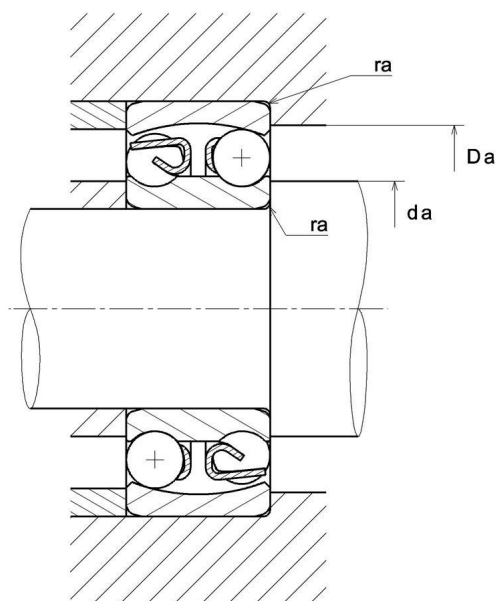
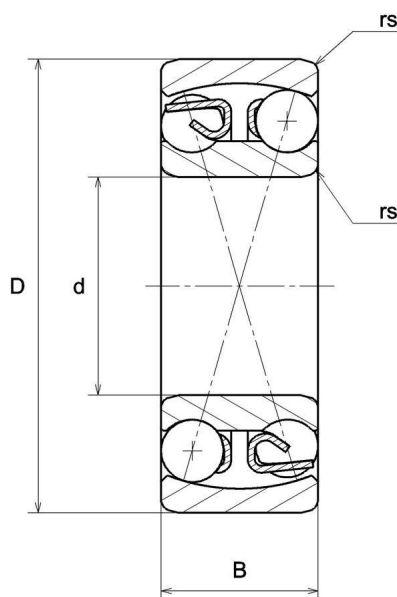
Technical data

1212SC3

Double-row self-aligning ball bearings

Self-aligning ball bearing, pressed steel cage, open

VISUAL (S)



1212SC3

Double-row self-aligning ball bearings

PRODUCT DEFINITION

Brand	NTN
d - Internal diameter	60 mm
D - External diameter	110 mm
B - Bearing/Inner ring width	22 mm
rs - Min fillet radius	1,5 mm
Radial clearance class	C3
Precision class	P0
Mass	0,91 kg

PRODUCT PERFORMANCE

C - Dynamic load	30,5 kN
C0 - Static load	11,5 kN
Cu - Fatigue limit load	0,46 kN
e - Coefficient	0.18
Y0 - Static axial load coefficient	3.6
Y1 - Lower axial load coefficient	3.4
Y2 - Upper axial load coefficient	5.3
Nlim - Oil lubrication limit speed	6300 tr/min
Nlim - Grease lubrication limit speed	5300 tr/min
Tmin - Min operating temperature	-20 °C
Tmax - Max operating temperature	120 °C

ABUTMENT

da min - Min shoulder diameter IR	68 mm
Da max - Max shoulder diameter OR	102 mm

1212SC3

Double-row self-aligning ball bearings

ABUTMENT

ra max - Max shaft & housing fillet radius

1,5 mm