

FAG

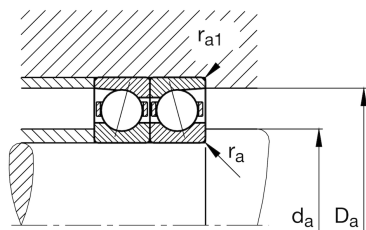
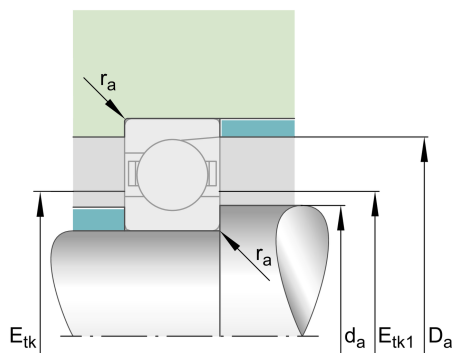
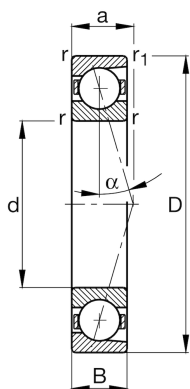
## ★ B7202-E-T-P4S-UL

## Spindle bearing

Schaeffler ID:  
0191558590000Spindle bearings B72...-E, adjusted, in  
pairs or sets, contact angle  $\alpha = 25^\circ$ ,  
restricted tolerances

★ Preferred product

## Technical information



## Temperature range

$T_{\min}$	-30 °C	Operating temperature min.
$T_{\max}$	100 °C	Operating temperature max.
	40 g	Weight

## Main Dimensions &amp; Performance Data

d	15 mm	Bore diameter
D	35 mm	Outside diameter
B	11 mm	Width
$C_r$	11.100 N	Basic dynamic load rating, radial
$C_{0r}$	4.850 N	Basic static load rating, radial
$C_{ur}$	520 N	Fatigue load limit, radial
$n_{G \text{ Grease}}$	40.000 1/min	Limiting speed for grease lubrication
$n_{G \text{ Oil}}$	60.000 1/min	Limiting speed for oil lubrication

## Dimensions

$r_{\min}$	0,6 mm	Minimum chamfer dimension
$r_{1 \min}$	0,6 mm	Minimum chamfer dimension
$\alpha$	25 °	Contact angle

## Mounting dimensions

$d_a$	19,5 mm	Diameter shaft shoulder
$d_a$	h12	Diameter shaft shoulder clearance
$D_a$	30,5 mm	Shoulder diameter outer ring
$D_a$	H12	Shoulder diameter outer ring clearance
$r_{a \max}$	0,6 mm	Maximum recess radius
$r_{a1 \max}$	0,3 mm	Maximum recess radius
$E_{tk \min}$	21,7 mm	Minimum diameter injection pitch
$E_{tk \max}$	23,4 mm	Maximum diameter injection pitch
$E_{tk1 \min}$	21,7 mm	Minimum diameter injection pitch
$E_{tk1 \max}$	23,4 mm	Maximum diameter injection pitch
a	11,3 mm	Distance between the apexes of the pressure cones

**Additional information**

$F_{VL}$	64 N	Preload force light
$F_{VM}$	252 N	Preload force medium
$F_{VH}$	546 N	Preload force heavy
$K_{aEL}$	187 N	Lift-off force light
$K_{aEM}$	768 N	Lift-off force medium
$K_{aEH}$	1.732 N	Lift-off force heavy
$c_{aL}$	49,7 N/ $\mu\text{m}$	Axial rigidity light
$c_{aM}$	84,4 N/ $\mu\text{m}$	Axial rigidity medium
$c_{aH}$	117 N/ $\mu\text{m}$	Axial rigidity heavy