

FAG

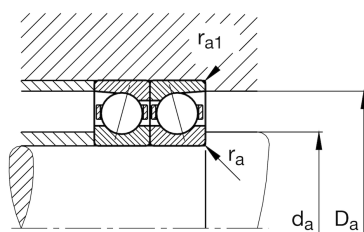
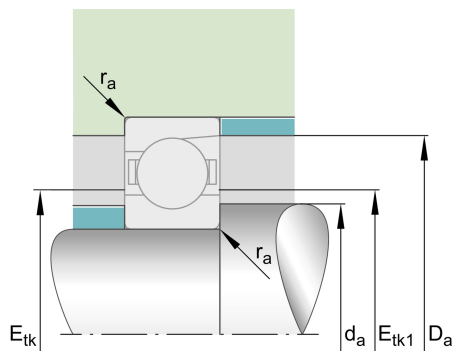
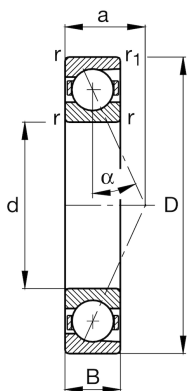
B71910-E-T-P4S-UL

Spindle bearing

Schaeffler ID:
0191540110000

Spindle bearing B719...-E-T-P4S, with steel balls

Technical information

**Main Dimensions & Performance Data**

d	50 mm	Bore diameter
D	72 mm	Outside diameter
B	12 mm	Width
C_r	18.600 N	Basic dynamic load rating, radial
C_{0r}	11.300 N	Basic static load rating, radial
C_{ur}	1.200 N	Fatigue load limit, radial
$n_{G \text{ Grease}}$	17.000 1/min	Limiting speed for grease lubrication
$n_{G \text{ Oil}}$	26.000 1/min	Limiting speed for oil lubrication
	0,127 kg	Weight

Dimensions

r_{\min}	0,6 mm	Minimum chamfer dimension
$r_{1 \min}$	0,6 mm	Minimum chamfer dimension
α	25 °	Contact angle

Mounting dimensions

d_a	55 mm	Diameter shaft shoulder
d_a	h12	Diameter shaft shoulder clearance
D_a	67,5 mm	Shoulder diameter outer ring
D_a	H12	Shoulder diameter outer ring clearance
$r_{a \max}$	0,6 mm	Maximum recess radius
$r_{a1 \max}$	0,15 mm	Maximum recess radius
$E_{tk \min}$	56,8 mm	Minimum diameter injection pitch
$E_{tk \max}$	58,9 mm	Maximum diameter injection pitch
$E_{tk1 \min}$	56,8 mm	Minimum diameter injection pitch
$E_{tk1 \max}$	58,9 mm	Maximum diameter injection pitch
a	20,2 mm	Distance between the apexes of the pressure cones

Additional information

F_{VL}	117 N	Preload force light
F_{VM}	479 N	Preload force medium
F_{VH}	1.049 N	Preload force heavy
K_{aEL}	340 N	Lift-off force light
K_{aEM}	1.439 N	Lift-off force medium
K_{aEH}	3.263 N	Lift-off force heavy
c_{aL}	103 N/ μ m	Axial rigidity light
c_{aM}	174 N/ μ m	Axial rigidity medium
c_{aH}	241 N/ μ m	Axial rigidity heavy