

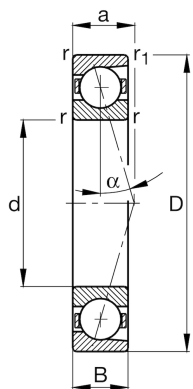
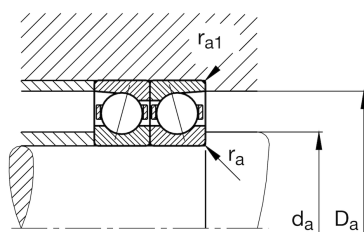
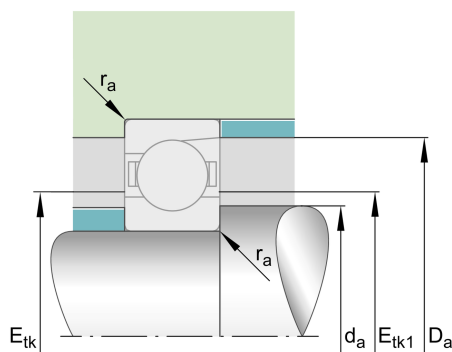
FAG

B71902-C-T-P4S-UL

Spindle bearing

Schaeffler ID:
0191533760000Spindle bearings B719.-C, adjusted,
in pairs or sets, contact angle $\alpha = 15^\circ$,
restricted tolerances

Technical information

**Main Dimensions & Performance Data**

d	15 mm	Bore diameter
D	28 mm	Outside diameter
B	7 mm	Width
C_r	5.100 N	Basic dynamic load rating, radial
C_{0r}	2.030 N	Basic static load rating, radial
C_{ur}	215 N	Fatigue load limit, radial
$n_{G \text{ Grease}}$	56.000 1/min	Limiting speed for grease lubrication
$n_{G \text{ Oil}}$	85.000 1/min	Limiting speed for oil lubrication
	0,02 kg	Weight

Dimensions

r_{\min}	0,3 mm	Minimum chamfer dimension
$r_{1 \min}$	0,3 mm	Minimum chamfer dimension
α	15°	Contact angle

Mounting dimensions

d_a	18 mm	Diameter shaft shoulder
d_a	h12	Diameter shaft shoulder clearance
D_a	25,5 mm	Shoulder diameter outer ring
D_a	H12	Shoulder diameter outer ring clearance
$r_{a \max}$	0,3 mm	Maximum recess radius
$r_{a1 \max}$	0,1 mm	Maximum recess radius
$E_{tk \min}$	19,9 mm	Minimum diameter injection pitch
$E_{tk \max}$	20,9 mm	Maximum diameter injection pitch
$E_{tk1 \min}$	19,9 mm	Minimum diameter injection pitch
$E_{tk1 \max}$	20,9 mm	Maximum diameter injection pitch
a	6,4 mm	Distance between the apexes of the pressure cones

Additional information

F_{VL}	19 N	Preload force light
F_{VM}	73 N	Preload force medium
F_{VH}	153 N	Preload force heavy
K_{aEL}	59 N	Lift-off force light
K_{aEM}	249 N	Lift-off force medium
K_{aEH}	559 N	Lift-off force heavy
c_{aL}	16,4 N/ μm	Axial rigidity light
c_{aM}	30,5 N/ μm	Axial rigidity medium
c_{aH}	44,9 N/ μm	Axial rigidity heavy