

FAG

★ B7015-E-T-P4S-UL

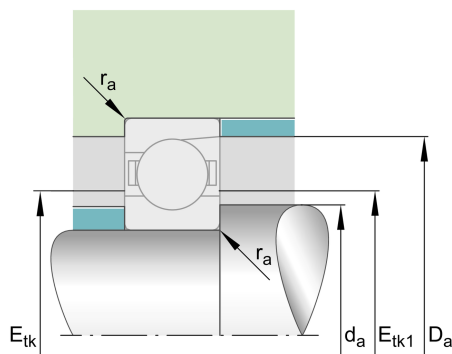
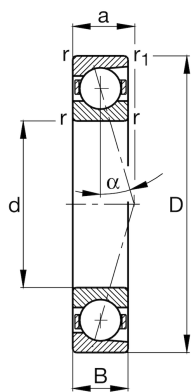
Spindle bearing

Schaeffler ID:
0191517720000

★ Preferred product

Spindle bearings B70...-E, adjusted, in pairs or sets, contact angle $\alpha = 25^\circ$, restricted tolerances

Technical information



Main Dimensions & Performance Data

d	75 mm	Bore diameter
D	115 mm	Outside diameter
B	20 mm	Width
C_r	49.500 N	Basic dynamic load rating, radial
C_{0r}	31.000 N	Basic static load rating, radial
C_{ur}	3.300 N	Fatigue load limit, radial
$n_{G \text{ Grease}}$	11.000 1/min	Limiting speed for grease lubrication
$n_{G \text{ Oil}}$	17.000 1/min	Limiting speed for oil lubrication
	0,62 kg	Weight

Additional information

r_{\min}	1,1 mm	Minimum chamfer dimension
F_{VL}	405 N	Preload force light
$r_{1 \min}$	1,1 mm	Minimum chamfer dimension
F_{VM}	1.430 N	Preload force medium
α	25°	Contact angle
F_{VH}	3.005 N	Preload force heavy
K_{aEL}	1.180 N	Lift-off force light
K_{aEM}	4.305 N	Lift-off force medium
K_{aEH}	9.353 N	Lift-off force heavy
c_{aL}	177 N/ μm	Axial rigidity light
c_{aM}	285 N/ μm	Axial rigidity medium
c_{aH}	387 N/ μm	Axial rigidity heavy



Mounting dimensions

d_a	82 mm	Diameter shaft shoulder
d_a	h12	Diameter shaft shoulder clearance
D_a	107 mm	Shoulder diameter outer ring
D_a	H12	Shoulder diameter outer ring clearance
$r_{a \max}$	1 mm	Maximum recess radius
$r_{a1 \max}$	0,6 mm	Maximum recess radius
$E_{tk \min}$	87,4 mm	Minimum diameter injection pitch
$E_{tk \max}$	91,7 mm	Maximum diameter injection pitch
$E_{tk1 \min}$	87,4 mm	Minimum diameter injection pitch
$E_{tk1 \max}$	91,7 mm	Maximum diameter injection pitch
a	32,1 mm	Distance between the apexes of the pressure cones

Temperature range

T_{\min}	-30 °C	Operating temperature min.
T_{\max}	100 °C	Operating temperature max.