

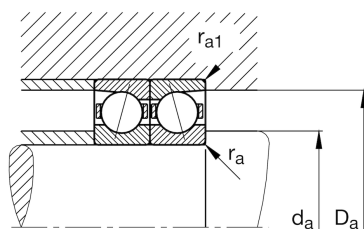
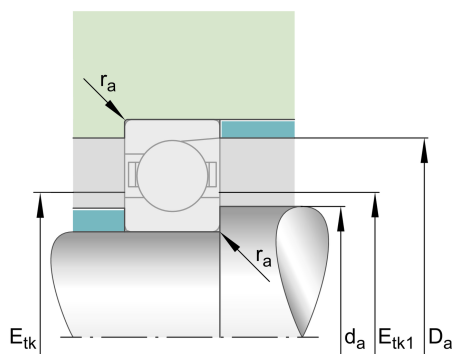
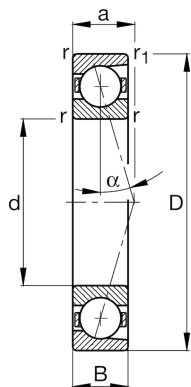
FAG

B7012-C-T-P4S-UL

Spindle bearing

Schaeffler ID:
0191511790000Spindle bearings B70...-C, adjusted, in pairs or sets, contact angle $\alpha = 15^\circ$, restricted tolerances

Technical information

**Main Dimensions & Performance Data**

d	60 mm	Bore diameter
D	95 mm	Outside diameter
B	18 mm	Width
C_r	40.000 N	Basic dynamic load rating, radial
C_{0r}	23.800 N	Basic static load rating, radial
C_{ur}	2.500 N	Fatigue load limit, radial
$n_{G \text{ Grease}}$	15.000 1/min	Limiting speed for grease lubrication
$n_{G \text{ Oil}}$	22.000 1/min	Limiting speed for oil lubrication
	0,395 kg	Weight

Dimensions

r_{\min}	1,1 mm	Minimum chamfer dimension
$r_{1 \min}$	1,1 mm	Minimum chamfer dimension
α	15°	Contact angle

Mounting dimensions

d_a	67 mm	Diameter shaft shoulder
d_a	h12	Diameter shaft shoulder clearance
D_a	88 mm	Shoulder diameter outer ring
D_a	H12	Shoulder diameter outer ring clearance
$r_{a \max}$	1 mm	Maximum recess radius
$r_{a1 \max}$	0,6 mm	Maximum recess radius
$E_{tk \min}$	70,9 mm	Minimum diameter injection pitch
$E_{tk \max}$	74,5 mm	Maximum diameter injection pitch
$E_{tk1 \min}$	70,9 mm	Minimum diameter injection pitch
$E_{tk1 \max}$	74,5 mm	Maximum diameter injection pitch
a	19,4 mm	Distance between the apexes of the pressure cones

Additional information

F_{VL}	209 N	Preload force light
F_{VM}	687 N	Preload force medium
F_{VH}	1.381 N	Preload force heavy
K_{aEL}	647 N	Lift-off force light
K_{aEM}	2.304 N	Lift-off force medium
K_{aEH}	4.952 N	Lift-off force heavy
c_{aL}	64 N/ μm	Axial rigidity light
c_{aM}	110 N/ μm	Axial rigidity medium
c_{aH}	157 N/ μm	Axial rigidity heavy