

## ★ 81102-TV

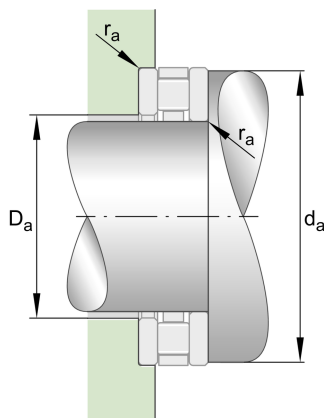
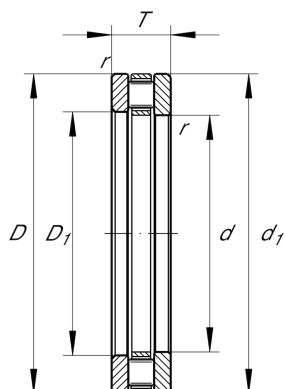
Axial cylindrical roller bearing

Schaeffler ID:  
0002402490000

Axial cylindrical roller bearings 811, single direction, comprising K811, GS, WS

★ Preferred product

### Technical information



#### Temperature range

$T_{min}$	120 °C	Operating temperature min.
$T_{max}$	-30 °C	Operating temperature max.
	21,3 g	Weight

#### Main Dimensions & Performance Data

d	15 mm	Bore diameter
D	28 mm	Outside diameter
T	9 mm	Height
$C_a$	14.400 N	Basic dynamic load rating, axial
$C_{0a}$	28.500 N	Basic static load rating, axial
$C_{ua}$	4.050 N	Fatigue load limit, axial
$n_G$	13.400 1/min	Limiting speed
$n_{gr}$	6.300 1/min	Reference speed

#### Dimensions

$D_1$	16 mm	Bore diameter housing washer
$d_1$	28 mm	Rip diameter shaft washer
$r_{min}$	0,3 mm	Minimum chamfer dimension

#### Mounting dimensions

$d_{a min}$	27 mm	Minimum diameter shaft shoulder
$D_{a max}$	16 mm	Maximum diameter of housing shoulder
$r_{a max}$	0,3 mm	Maximum recess radius

#### Additional information

K81102-TV	Axial roller and cage assembly
GS81102	Housing Washer
WS81102	Shaft washer
LS1528	Track Washer