

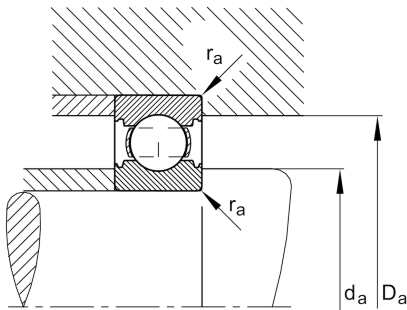
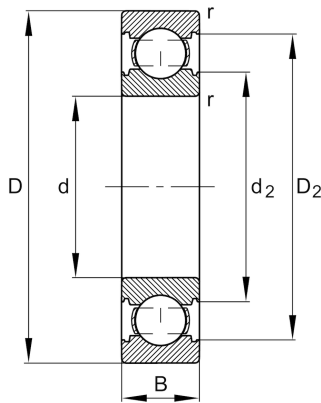
**FAG****6409-C**

Deep groove ball bearing

Schaeffler ID:  
0939989530000

Deep groove ball bearing 64...-C, single row, Generation C, steel sheet metal cage

## Technical information

**Main Dimensions & Performance Data**

d	45 mm	Bore diameter
D	120 mm	Outside diameter
B	29 mm	Width
$C_r$	83.000 N	Basic dynamic load rating, radial
$C_{0r}$	47.500 N	Basic static load rating, radial
$C_{ur}$	3.300 N	Fatigue load limit, radial
$n_G$	8.500 1/min	Limiting speed
$n_{gr}$	7.100 1/min	Reference speed
	1,48 kg	{Weight}

**Mounting dimensions**

$d_{a \min}$	58 mm	Minimum diameter shaft shoulder
$D_{a \max}$	107 mm	Maximum diameter of housing shoulder
$r_{a \max}$	2 mm	Maximum fillet radius

**Dimensions**

$r_{\min}$	2 mm	Minimum chamfer dimension
$D_2$	105,3 mm	Caliber diameter outer ring
$d_2$	72,54 mm	Caliber diameter inner ring

**Temperature range**

$T_{\min}$	-30 °C	Operating temperature min.
$T_{\max}$	150 °C	Operating temperature max.

**Calculation factors**

$f_0$	12,9	Calculation factor
-------	------	--------------------